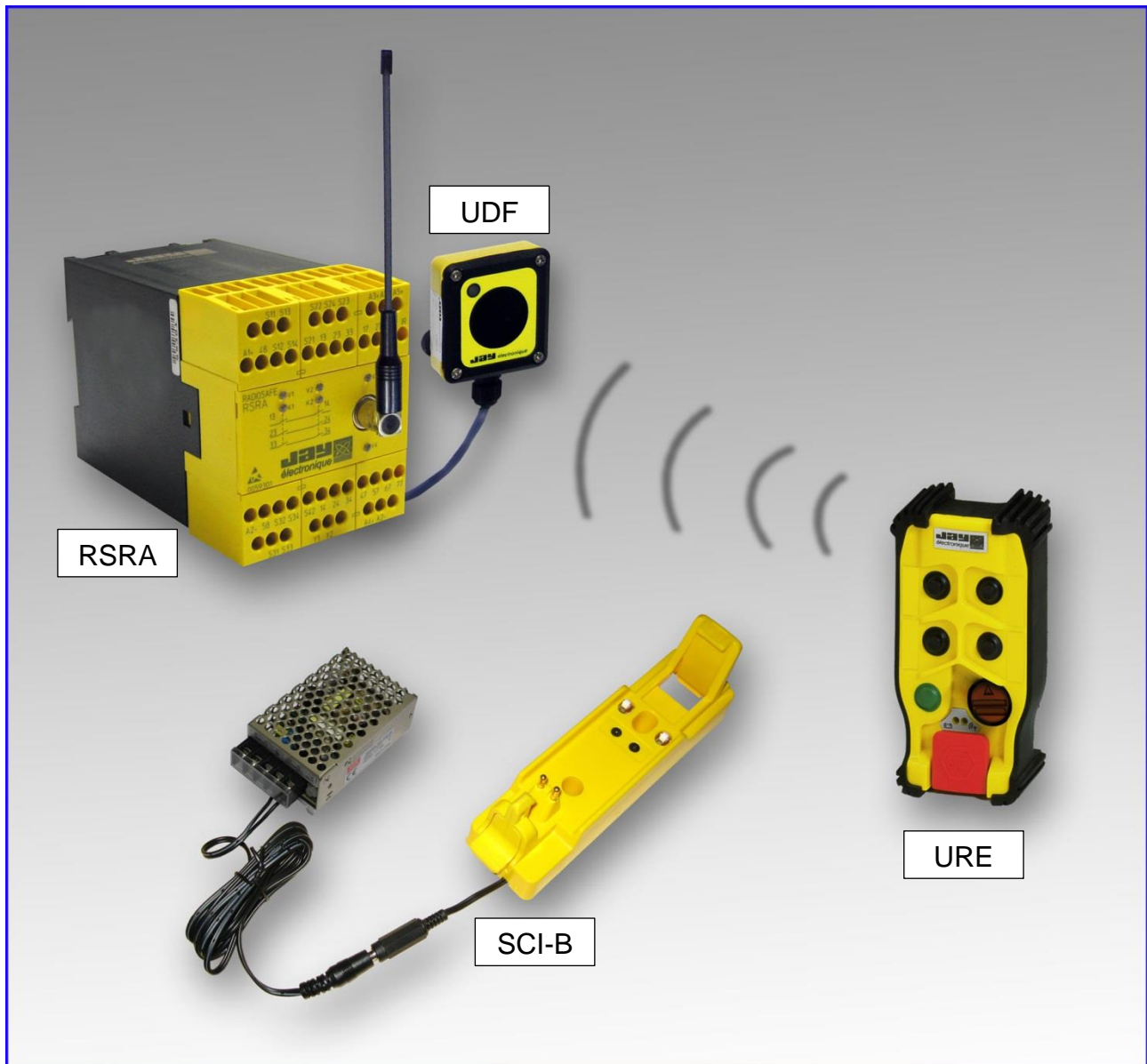


RADIOSAFE Series

Wireless emergency stop system



Installation and operating instructions manual

- TRANSLATED IN ENGLISH FROM ORIGINAL FRENCH VERSION -

TABLE OF CONTENTS

1	Guidelines for safe use	4
2	Presentation of RADIOSAFE emergency stop system	6
2.1	Unpacking the product	6
2.2	Configuration on delivery	6
2.3	Product code	7
3	Technical characteristics	7
3.1	Transmitter URE	7
3.1.1	Identity code	7
3.1.2	Electronic key	7
3.1.3	« Activity monitoring » function	8
3.1.4	Battery charge	8
3.2	Receiver RSRA	9
3.3	IR startup option (IR)	11
3.3.1	Presentation of infrared module (UDF)	11
3.3.2	Positioning the infrared module UDF	12
3.4	Configuring the receiver	12
3.4.1	Choice of receiver (RSRA) program	12
3.4.2	Definition of receiver indicator lights and diagnostic outputs	13
3.5	Presentation of charger	14
4	Operating principle	15
4.1	Intervention in equipment area.	15
5	Product safety and intervention conditions	15
5.1	Product safety	15
5.2	Intervention conditions	15
5.3	Indications	16
6	Receiver wiring diagram according to intervention condition	16
6.1	Control of machine without area access control.	16
6.2	Wiring diagram	16
6.2.1	Diagram of functions according to program selected.	18
6.2.2	Control of machine with area access control.	26
6.2.2.1	Recommended wiring diagram	26
6.2.3	Diagram of functions according to program selected.	29
7	Installation recommendations	31
7.1	General information	31
7.2	Choice of utilization frequency	31
7.3	Receiver and charger installation precautions.	31
7.3.1	Special case – Equipment area access.	32
7.3.2	Receiver antenna installation position	32
8	Commissioning	33
8.1	Commissioning precautions	33
8.2	Starting up the radio remote control.	33
8.3	Configuring the transmitter.	34
8.3.1	Procedure for programming frequency	34
8.3.2	Procedure for programming « transmitter activity monitoring » duration.	35
8.3.3	Procedure for « locking – unlocking » access to transmitter programming.	36
8.3.4	Procedure for « validation of an electronic key ».	37

9	Maintenance	38
9.1	Spare parts	38
9.2	Fault isolation	38
9.2.1	Transmitter fault isolation.....	38
9.2.2	Fault isolation relative to receiver parameter definitions or configuration	39
9.2.3	Receiver input fault isolation	40
9.2.4	Receiver radio function fault isolation	41
10	Warranty	42
11	CE declaration of conformity	43
12	Appendix A : Intervention in equipment area	44
12.1	Purpose	44
12.2	Need.....	44
12.3	Application diagram	44
12.4	Wiring diagram.....	44
12.5	Procedure.....	45
12.6	Area access in manual mode.....	45

1 Guidelines for safe use

- The European Machinery Directive states that a radio remote control must be considered both as a control unit and as a safety component for stopping a system. Safe use of a radio remote control therefore calls for strict compliance of all applicable rules.
- **For maximum safety** when handling the radio remote control, be sure to carefully observe the instructions given in this manual.
- **The operator must be appropriately trained and qualified** for use of the radio remote control.
- **On an installation, an emergency stop button which is visible must always be operational.** When the transmitter is not being used, it must be placed on its charger ; its emergency stop button is therefore no longer operational. For this reason, it is important to install the charger so that the transmitter emergency stop button is not visible when the transmitter is placed on its charger.
- **The operator must have an uninterrupted view of the manoeuvre which he is performing.** When the direct field of view is insufficient, the systems controlled must be equipped with auxiliary devices improving visibility.
When several moving systems are controlled simultaneously, the systems must be equipped to reduce the consequences of a possible collision.
If all the safety areas are not always visible simultaneously, one of the following startup modes must be used :
 - Manual startup using a wired ON pushbutton placed at a location from which all the safety areas are visible.
 - Radio-controlled startup by infrared. The IR receiver must also be placed to force the user to go to a location where all the safety areas are visible.
- **Never leave the transmitter unattended** in any haphazard location, especially when it is switched on.
- **Never leave the transmitter on the ground.** If doing so becomes indispensable, press the stop palm switch on the transmitter.
- **If several radio remote controls are used at the same site,** different radio frequencies should be used, spaced by at least 2 channels (example, channels 5, 7, 9,) of 5 channels if several systems are operating together within a radius of 10 meters.
- **When not in use, for safety purposes,** remove the electronic key.
- **Do not forget to recharge the battery when discharged.**
- **Do not use the transmitter when it is in charge.**
- **In the event of a malfunction,** immediately shut down the installation by pressing the emergency stop palm switch on the transmitter.
- **Ensure your equipment is properly serviced and perform periodic** checks in accordance with the intensity of use of your equipment.

- **A functional test (automatic or manual) to detect failures shall be performed within the following test intervals:**
 - at least **every month** for PL e with Category 3 or Category 4 (according to EN ISO 13849-1) [or SIL 3 with HFT (hardware fault tolerance) = 1 (according to EN 62061)];
 - at least **every 12 months** for PL d with Category 3 (according to EN ISO 13849-1) [or SIL 2 with HFT (hardware fault tolerance) = 1 (according to EN 62061)].“

Important :

As installer or manufacturer of the machine, you are also required to indicate these guidelines for safe use in your own user manual.

Caution :

This manual describes the functions of the RSRA / A002 receivers with a software version PN5910_BI_A_01_0F_01_03 or higher. Operating modes 8 and 9 (**§ 6.2.2 «Control of machine with area access control»**) have been modified with respect to the previous versions of the RSRA modules.

The modules having this new function carry the type designation « RSRA / A002 » engraved on the side of the housing. The software version is glued to the back of the housing.

2 Presentation of RADIOSAFE emergency stop system

2.1 Unpacking the product

The RADIOSAFE product comprises:

- One receiver **RSRA** (1)
- One transmitter **URE** (2)
- One 24VDC-5VDC voltage adapter **UCC4** (3)
- One charger support **SCI-B** (4)
- Two sheets of labels **UWE202** and **UWE207** (5)
- One key identification sheet (6)
- One CD (or USB memory key) including the installation and operating instructions manual (7)
- One BNC elbow **VUB060** (8)
- One antenna extension **VUB170** (9)
- One ¼ quarter wave antenna **VUB084** (10)



2.2 Configuration on delivery

Product

- The product is supplied factory-set for radio channel 01, i.e. 433.100 MHz.

Transmitter

- The transmitter “activity monitoring” function (transmitter automatically stops if not used for an extended period of time) is factory-set for 15 min.

To modify the duration or change the counting unit to « seconds », refer to the “Transmitter activity monitoring function” section.

• Electronic key number :

- A unique number is engraved on the key.

IMPORTANT : When unpacking the products, be sure to stick the electronic key identification label on the key sheet supplied with the product.

• Locking the transmitter :

- The transmitter is supplied « unlocked » ; the « activity monitoring » and « frequency » configurations corresponding to the electronic key can be directly modified by a qualified operator.

Receiver

- The receiver has 10 different application programs. It is supplied factory-set for program « 0 » selectable by 2 selectors “B”. For information on the different programs, refer to the section entitled “Choice of receiver (RSRA) program”.
- The receiver has a time delay function. It is supplied with a time delay of 10 seconds for transmitter take-over according to the position “0” of 2 selectors A. Refer to the section covering “adjustment of time delay” if this duration is not sufficient.

2.3 Product code

Refer to the technical sales brochure ref. E800 For all information concerning the product code. This information is accessible on our internet site at <http://www.jay-electronique.com/>

3 Technical characteristics

3.1 Transmitter URE

Housing Material Tightness	ABS IP65
Radio Carrier Frequencies Frequency band HF power Average range	Complies with ETS 300 220 UHF, frequency modulated (FM) 64 programmable frequencies 433.1 to 434.675 MHz < 10 mW (without license) 150 m in typical industrial environment 400 m in open space
Battery Storage type Charge / Discharge cycles Fast charge time Full charge time	Lithium ion 500 cycles min. 2h max. (80%) 4 h max. (100%)
Endurance For typical use of function buttons	50 H at 50% utilisation at +20°C
Storage temperature	-20°C to +50°C
Battery charge temperature range	0°C to +40°C Caution ! : Fast charging outside this temperature range can result in damage to battery.
Operating temperature range	-20°C to +45°C
Weight (with battery)	240 g
Dimensions	46 x 78 x 143 mm

3.1.1 Identity code

The transmitter and receiver are linked by a frequency **and** an identity code.

A receiver will only recognize and execute commands from the associated transmitter (same identity code and frequency).

- The frequency is programmable by the user
- The transmitter identity code is contained in the electronic key and in the transmitter (URE).
- The receiver identity code is unique and frozen ; this code is programmed in factory.

The identity code can have 65536 different combinations.

3.1.2 Electronic key

The electronic key used with the RADIOSAFE radio remote control system ensures a dual function :

- It enables startup of the transmitter while limiting access to the remote control to trained, qualified persons only.
- It contains all the information defined for operation of the product, including :
 - the last frequency programmed
 - the system identity code
 - The "activity monitoring" function
- the configuration of the function buttons on the transmitter and the type of button (button or rotary).
- When removed, the electronic key prevents use of the transmitter and cuts off the transmitter power supply.

If the identity code of the electronic key matches the identity code stored in the URE, the transmitter can be started up.

- If the identity code of the electronic key and that of the transmitter do not match, the transmitter indicates the problem by its two indicator lights (3 flashes); you must then perform the key programming procedure.

In the event of a transmitter failure

You can recover the electronic key and connect it to a « maintenance » transmitter which buttons are configured in the same way as those of the failed transmitter. When this is not the case, the differing buttons will not operate. To perform this procedure, you must re-program the identity code of the key in a new transmitter (URE) by following the procedure described in the corresponding section.

In the event of loss of electronic key

You can order a new electronic key (reference **RSWE21 B**), by specifying the unique 6-digit number of the old key on the order (written down when you unpacked your product).
Caution, the initial key is supplied programmed on frequency channel 01 with « activity monitoring » duration set for 15 minutes. You must define these parameters again on your new key.

3.1.3 « Activity monitoring » function

The « Activity monitoring » function automatically deactivates the remote control (radio transmission cut off) when the buttons (BPSV, BPDV and “ON”) are not actuated for a duration defined for **N** minutes or seconds.

The **N** parameter is configurable by the user and can take the values of **01** to **98** minutes or seconds.

In its standard configuration, the time delay unit is defined for minutes. On delivery, this duration is defined for 15 minutes.

- If the time delay unit is defined for **minutes** and the **N** value is defined for **99 minutes**, the transmitter considers that the time delay duration is infinite (up to complete discharge of its battery).
- If the time delay unit is defined for **seconds (configured by you)**, and the **N** value is defined for **99 seconds**, the transmitter will be deactivated after 99 seconds if none of the function buttons or the “ON” button is used.

Note 1 : The switches (COM2, COM3) do not act on the « Activity monitoring » function.

Note 2: The duration and the type of counting unit for the « Activity monitoring » function (minute or second) are stored in the electronic key of the transmitter (URE).

3.1.4 Battery charge

To ensure optimum battery performance, start by charging and fully discharging the battery the first time.

During the charge, the orange indicator light on the transmitter comes on continuously ; the green indicator light indicates the charge level :

Green indicator light flashes : fast charge

Green indicator light on steady : slow or upkeep charge (URE charge greater than 80%)

Display of transmitter battery charge status (when not charging)

Two battery charge status display functions are provided on the transmitter.

- On power up of the remote control (emergency stop palmswitch up), the orange indicator light on the transmitter indicates the charge level of the storage batteries :

Orange indicator light off : battery charge is > 50%

Orange indicator light flashes slowly : battery charge is between 50% and 10 %

Orange indicator light flashes fast : battery must be recharged (battery charge < 10%)

Orange indicator light on for 2 seconds : ... transmitter initialization as soon as the stop palmswitch is raised.

- During operation of the remote control (radio transmission), a **LOW BATT** level (charge < 10%) is indicated by the orange indicator light which flashes quickly. This indication is used to inform you that the remote control will soon be unavailable (within less than 15 minutes).

Display of transmitter battery charge status (transmitter charging)

Transmitter status	Red indicator light	Green indicator light	Function
Battery charging	ON	Flashing	Fast charge
Battery charging	ON	ON	Slow or upkeep charge

3.2 Receiver RSRA

Mechanical characteristics and environmental withstand capacity

Housing	ABS, black/yellow IP 40
Weight	495 g (approx.)
Dimensions	67 x 84 x 129mm (not including antenna)
Operating temperature range	0 °C to + 50 °C
Storage temperature range	- 30 °C to + 70 °C
Connection	Spring terminals for wires 0.08 ² to 2.5 ²

Radio characteristics

Characteristics compliant with ETS 300 220

Frequency	64 frequencies programmable in 433-434 MHz
Antenna	1/4 wave, as accessory, plugs in to BNC connector
Sensitivity	< -100 dBm

Electrical characteristics

Power supply voltage Un	24 VDC
Voltage range (at max., 5% ripple)	0.85 to 1.15 Un
Consumption	max., 120 mA (Static output, not loaded)
Secure relay outputs (terminals 13-14, 23-24, 33-34 or 31-32)	
Contacts	3 NO
Type of contacts	Linked contact relays
Pull-in time at Un	
Automatic start	800 ms max. (power up)
Automatic restart	70 ms max.
Manual start	110 ms max.
Trip time (reaction)	
S12-S14, S22-S24, S32-S34	25 ms max. Stop (remote control): 170 ms max.
Assigned output voltage	AC250V
Low voltage switching	≥ 100 mV
Thermal current I _{th}	5 A
Switching capacity	
Per AC 15 :	AC 3A/230 V for NO contacts EN60947-5-1 AC 2A/230 V for NC contacts EN60947-5-1
Per DC 13 :	DC 8A/24 V at 0.1 Hz EN60947-5-1
Electrical service life	
Per AC15 at 2A, AC230V	100 000 cycles EN60947-5-1
Short-circuit rating	
Maximum fuse rating	6 A gL EN60947-5-1
Mechanical service life	10 x 10 ⁶ cycles
Static outputs (terminals 48, 58, 17, 27, 37, 47, 57, 67, 77)	
Type of outputs	Static outputs, PNP
Nominal voltage Un (A3, A4)	DC 24 V
Voltage range	0.85 to 1.15 Un
Output voltage	DC 24V, max. 100mA thermal max. 400 mA for 0.5s Overload and temperature protection
Indicators	2 yellow indicator lights: state of safety module 2 red indicator lights: state of safety relays 1 red indicator light: wrong identity code or diagnostic 1 green indicator light: radio reception quality

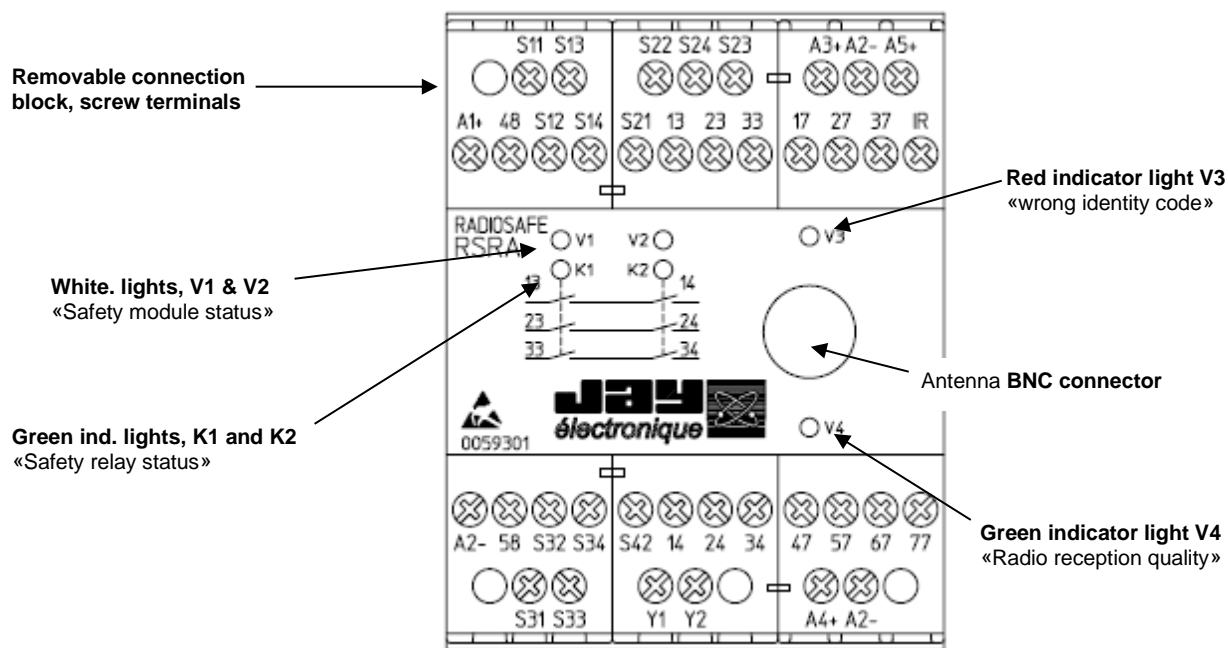
The RSRA receiver has the following outputs :

100 mA opto-coupled static outputs :

6 function outputs

Safety relays :

- 2 guided-contact safety relays « 3 NO ».



Safety outputs and inputs

Terminals	Function
A1+	24VDC power supply for safety modules of receiver (RSRA)
A2-	Common ground
48	24V static output: safety module status
58	24V static output: safety module status (of witch catch transmitter of charger)
S11 S12	Input 1 for 1 st emergency stop or 1 st safety barrier
S13 S14	Input 2 for 1 st emergency stop or 1 st safety barrier
S21 S22	Input 1 for 2 nd emergency stop or 2 nd safety barrier
S23 S24	Input 2 for 2 nd emergency stop or 2 nd safety barrier
S31 S32	Input for test of 1 st charger
S33 S34	Input for test of 2 nd charger
S42	Input for wired "ON" button
Y1 Y2	Input for auxiliary relay return loop
13 14	1 st safety output (NO contact)
23 24	2 nd safety output (NO contact)
33 34	3 rd safety output (NO contact)

Static outputs assigned to remote control

Terminals	Function
A3+	24VDC power supply for static outputs assigned to remote control
A2-	Common ground
17	Non safe static output Mode 0 to 4 and 8,9: activated without remote control Mode 5,6 and 7: activation on startbutton of remote control
27	B1, 1 st point of contact
37	B2, 1 st point of contact
47	B1 or B2, 2 nd point of contact (1)
57	B3, 1 st point of contact (1)
67	B4, 1 st point of contact (1)
77	B3 or B4, 2 nd point of contact (1)

(1) = Only for pushbuttons

Connection for IR module (UDF)

Terminals	Function
A5+	12 VDC output
IR	Receiver signal
A2-	Common ground

3.3 IR startup option (IR)

As an added feature to start up in normal mode, IR startup is performed by pointing the transmitter toward an IR module located on the equipment to be controlled.

When this option is chosen, the receiver waits for a dual condition before activating the safety and function relays :

1st condition :

- Radio reception of a message requesting startup sent by transmitter to receiver.

2nd condition :

- IR reception of same startup message sent simultaneously from transmitter to receiver via IR module.

The IR emission takes place when the green "ON" button is pressed.

At the end of the startup phase, the system operates on reception of radio messages only.

3.3.1 Presentation of infrared module (UDF)

The UDF infrared module is supplied with a shielded 10m cable which is connected to the receiver connectors.

Connection:

Black wire : A2-

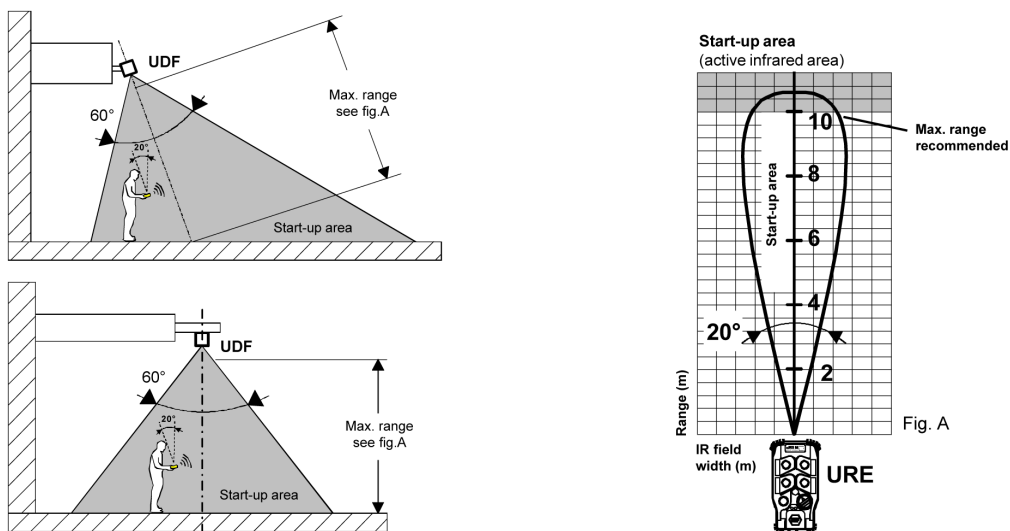
White wire : A5+

Blue wire : IR

The link can be extended up to 2x10m, i.e. 30m in all by means of the **UDWR10** accessory comprising a shielded cable and its connector.

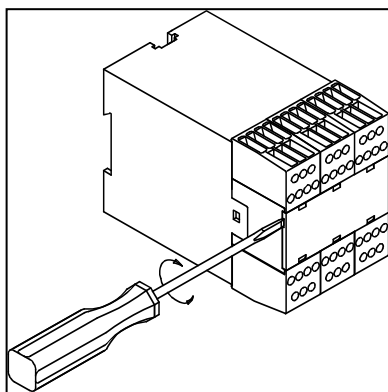
The wiring of the IR module must be separate from the power cables and all other sources which may generate interference (power regulator, for example).

3.3.2 Positioning the infrared module UDF



3.4 Configuring the receiver

The receiver module inputs and outputs can be configured in accordance with your applications. To configure this parameter, you must remove the front panel of the product.



3.4.1 Choice of receiver (RSRA) program

The receiver has 10 programs which are user-definable by two « B » selectors.

Selector « B » position	Reset mode for protection circuits « S11-S14 » and « S21-S24 » (1)	Reset mode after radio emergency stop (2) wireless	Number of wired emergency stops	Dangerous area access control	IR startup recommended	Remarks
0	Manual	Radio	2	NO	YES	
1	Manual	Control panel	2	NO	NO	
2	Automatic	Radio	2	NO	YES	
3	Automatic	Control panel	2	NO	NO	
4	Manual	Radio	2	NO	YES	Special application.
5	Manuel	Radio	2	NO	YES	Special application.
6	Manuel	Control panel	2	NO	YES	Special application.
7	Manuel	Radio	2	NO	YES	Special application.
8	Manual	Radio	1	YES	YES	Receiver module controls access to dangerous area with radio remote control.
9	Manual	Control panel	1	YES	NO	Receiver module controls access to dangerous area with radio remote control.

(1) Reset mode for protection circuits « S11-S14 » and « S21-S24 »

- **Manual start :**

Once the protection circuits connected across S11-S14 and S21-S24 are again active, you must restart the equipment using the ON button wired on the control panel.

- **Automatic start :**

Once the protection circuits connected across S11-S14 and S21-S24 are again active, the system is automatically restarted provided the remote control is on its charger.

(2) Reset after wireless emergency stop

- **Control panel :**

Following an emergency stop using the radio remote control, the equipment must be restarted using the ON button wired on the control panel.

- **Wireless :**

Following an emergency stop using the radio remote control, the equipment can be restarted using the radio remote control without returning to the control panel.

Setting transmitter activation time and gate or safety barrier inhibit time

The transmitter activation, protected area access request and gate or safety barrier inhibit times are configurable by two « A » selectors. The two selectors must always be placed in the same position.

Position of 2 « A » selectors:

Position of "A" selectors	0	1	2	3	4	5	6	7	8	9
Transmitter activation or access request time	5S	6S	7S	8S	9S	10S	15S	20S	25S	30S
Inhibit time (1) (muting)	5S	10S	20S	40S	1min	2min	3min	4min	5min	10min

(1) : maximum gate or safety barrier inhibit time.

3.4.2 Definition of receiver indicator lights and diagnostic outputs

The various states and faults of the safety receiver are indicated by 4 leds and by 3 static outputs.

Ind. light state	Off	Flashing	On steady
White ind. light V1	All outputs inactive subsequent to a system fault	Error code : system fault. All outputs inactive	No system fault
White ind. light V2	- charger contacts closed and relays activated - all outputs inactive subsequent to a system fault	- Flashing as for output 58 if Led "V1" is on - system fault if Led "V1" is off or flashing	Safety outputs activated
Red ind. light V3	Not applicable	- Error code: error in reception module - Flashing regularly: reception of incorrect identity code	Link with RS232 interface
Green ind. light V4	No radio signal	-Flashing irregularly : poor reception - Error code: error in reception module	Good radio reception
Green ind. lights K1 and K2	Safety relays K1 and K2 inactive	Not applicable	Safety relays K1 and K2 activated

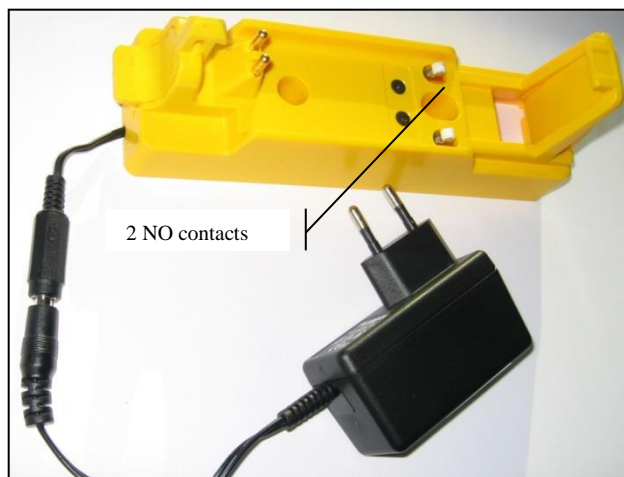
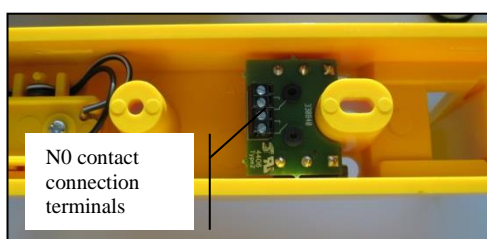
Ind. light state	Off	Flashing	On steady
Static output 17	Safety relays inactive or charger monitoring contacts open or remote control activated	Not applicable	Remote control inactive, charger monitoring contacts closed and safety relays activated
Static output 48	- Safety outputs activated - System fault	Flashing regularly: on standby for reactivation by one of the ON pushbuttons	No output activation authorization
Static output 58	Charger contacts closed and relays activated - All outputs inactive subsequent to a system fault	- Error code. One of the safety functions does not allow activation of safety outputs - Flashing rapidly to indicate that transmitter must be activated. - Flashing slowly during area access inhibit condition	Safety outputs activated

- The 2 white indicator lights « V1 and V2 » indicate the state of the receiver safety functions.
 - Receiver state when transmitter is on its charger: "V1" on and "V2" off.
 - Receiver state when transmitter is active: "V1 and V2" on.

3.5 Presentation of charger

In addition to charging the transmitter battery, the charger also has a transmitter detection function for detection of a transmitter when not used.

When any of programs 0 to 4 are selected, the 2 NO contacts must be wired on inputs S31-S32 and S33-S34. If programs 8 or 9 are selected, the 2 NO contacts must be wired in series on input S31-S2 (See wiring diagram in appendix).



4 Operating principle

The safety receiver is equipped with a secure wireless reception module designed to interpret signals from a radio transmitter.

In addition, depending on the program selected by the two B switches, the receiver (RSRA) will have one or two inputs (S31-S32 and S33-S34) with two control contacts indicating that the remote control is placed on its charger or not:

Transmitter « inactive » on its charger

When the transmitter is on its charger, the charger contacts are closed. Only the wired elements are taken into account for protection. Output 58 is inactive (associated "V2" LED is off). Static outputs 27 to 77 remain inactive. Safety relays « K1, K2 » are deactivated if the safety receiver has not been reset.

Transmitter « active » removed from its charger.

When the transmitter is removed from the charger, the « transmitter presence » contacts on the charger open and the receiver safety relays remain active.

Output 58 and the "V2" LED flash rapidly to indicate that the remote control must be activated. The receiver safety relays are deactivated if the transmitter is not activated after the maximum period of time set on the "A" switches has elapsed.

The safety relays are also deactivated if one of the charger contact remains close.

Once the remote control is activated, output 58 and the "V2" LED come on steady.

From this moment on, the emergency stop function on the transmitter also acts on the receiver.

So long as the safety relays are active, the auxiliary buttons on the remote control control the 6 static outputs (27 to 77) of the module.

Depending on the operating mode selected, the safety receiver can also be activated by the « ON » button on the transmitter, if the charger contacts are open.

4.1 Intervention in equipment area.

See procedure in appendix

5 Product safety and intervention conditions

5.1 Product safety

The product is designed to satisfy the following requirements :

- Wireless Emergency stop system in compliance with the standards:
 - DIN ISO 13849-1 (2015) : Category 4 / Performance Level e
 - EN 61508-1 (-7 :2010): SIL 3
 - CE declaration of conformity by notified body.
- Key enabling use by a qualified operator.
- Detection of presence of transmitter on charger, inhibiting operation of equipment if transmitter is not placed on its charger after use.

5.2 Intervention conditions

The interventions with the product will be made according to provisions of the articles R233-8 and R233-9 of the employment law. To respect these rules, an organization of the work and the operating modes must be defined to protect the safety of the operators. Only the authorized persons can intervene in equipment area.

A product can be used in two different modes described below.

« Monitoring – Diagnostic » mode

Applications concerned.

This product can be used as a wireless stopping system by qualified personnel performing maintenance or inspection on machinery. Such machinery is generally mobile or large, preventing use of conventional wiring, and for which a diagnostic in downgraded operating mode may be required (example: conveyor or load transfer area).

Access to this equipment in operation in the "monitoring – diagnostic" mode is acceptable provided:

- The risk assessment shows that the intervening technician can be safety cleared in the event of an immediate danger.
- The equipment wireless emergency stop system does not create any additional hazard.
- The operator can regularly press a « Activity monitoring » button requiring him to keep the transmitter in hand.
- No change of tool or adjustment is performed by the intervening technician.

When these 4 conditions are satisfied, the operator can use the product.

If any of the conditions for operation in the « monitoring – diagnostic » mode are not observed, the equipment must be stopped and the radio remote control must be used in manual equipment operating mode.

The « equipment area access » is managed by the safety receiver. Two inputs are provided on the receiver to temporarily inhibit the gate or barrier.

If the speed of the equipment must be reduced and controlled, the signals supplied on outputs 58 and 17 indicate when the user has picked up or set down his transmitter on the charger.

« Manual » mode

This manual operating mode is possible using the product insofar as command of equipment movements using function buttons associated to an emergency stop function on the transmitter is sufficient to stop the equipment controlled if necessary.

The transition from automatic to manual control of the equipment can be achieved by removing the transmitter from the charger. Removal of the transmitter is detected by the safety receiver which supplies 2 information signals to the machine control station (output 17 and 58). So long as the transmitter has not been placed on its charger, the equipment remains in manual mode.

5.3 Indications

In certain cases of application for checking the access zone, an indication " indicator light column with 3 colours " type must be foreseen near the access to indicate the state of the equipment. (See end of this document).

Besides, it is recommended to affix a marking on the ground clarifying dangerous zones to the operators.

6 Receiver wiring diagram according to intervention condition

Reminder :

The program can be chosen using the two « B » switches on the front panel of the safety module. The various programs available allow the user to manage (or not) access to a dangerous area.

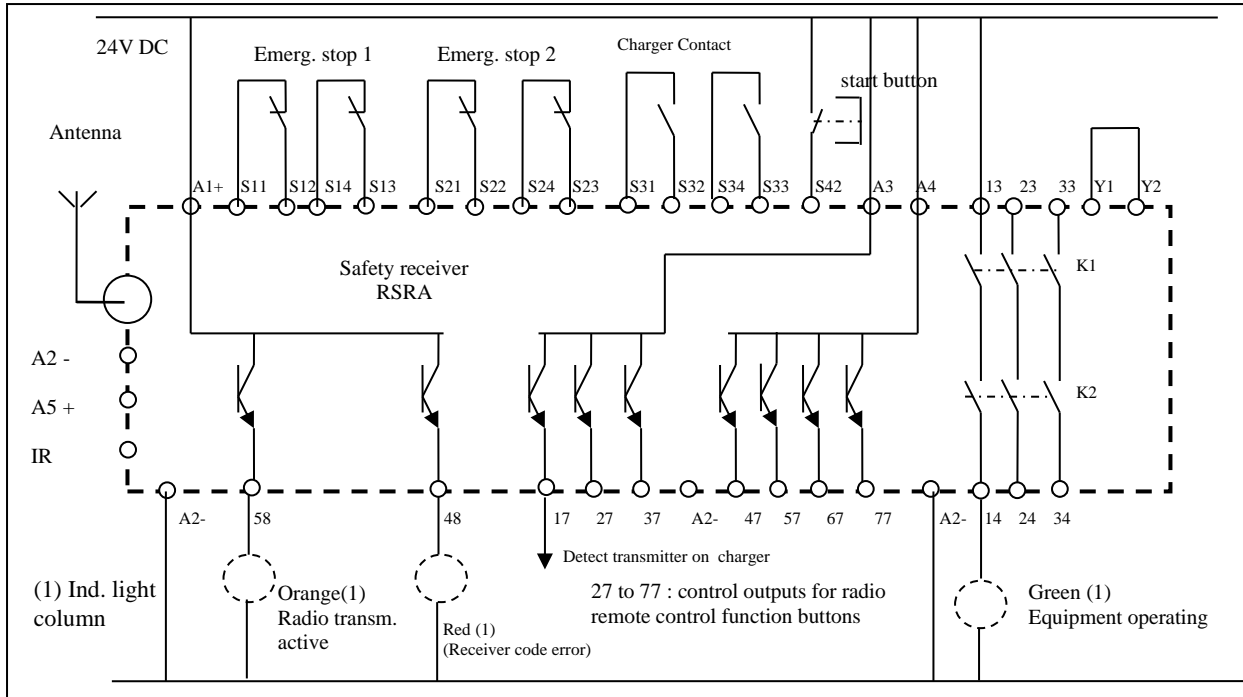
6.1 Control of machine without area access control.

Programs 0 to 4 of the safety receiver do not allow managing access to a dangerous area.

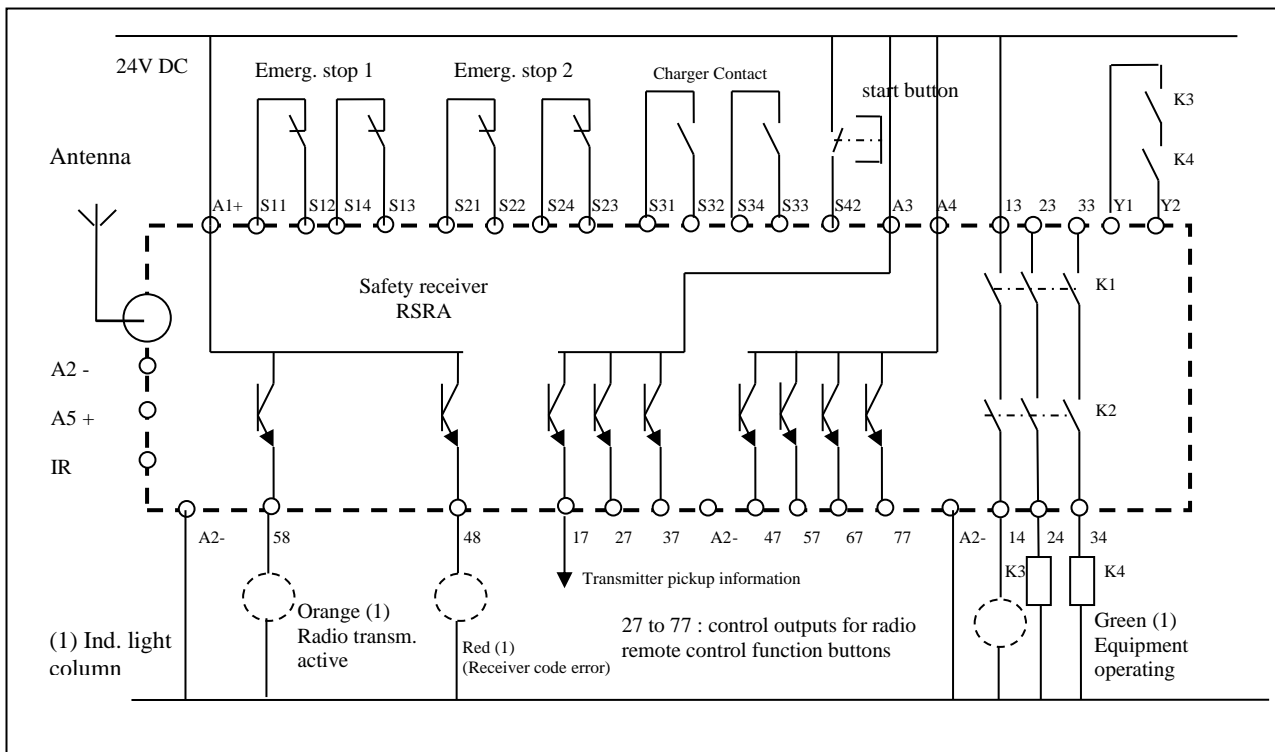
6.2 Wiring diagram

The manual control mode is only possible **by programs 0 to 4** (defined by the two "B" switches). See § 3.4.1 "Choice of receiver (RSRA) program".

Use of two wired emergency stops and a radio remote controlled emergency stop.



Output 17: Operating modes 0 to 4 and 8,9: Green light for indicating operation without activated remote control
 Attention: In operating modes 5,6 and 7, the activation of the start button from the remote control activates the output 17. This operation mode must not be used when the reduced speed of the machine shall be monitored.
Ditto above with control of contacts of auxiliary relays « K3-K4 ».



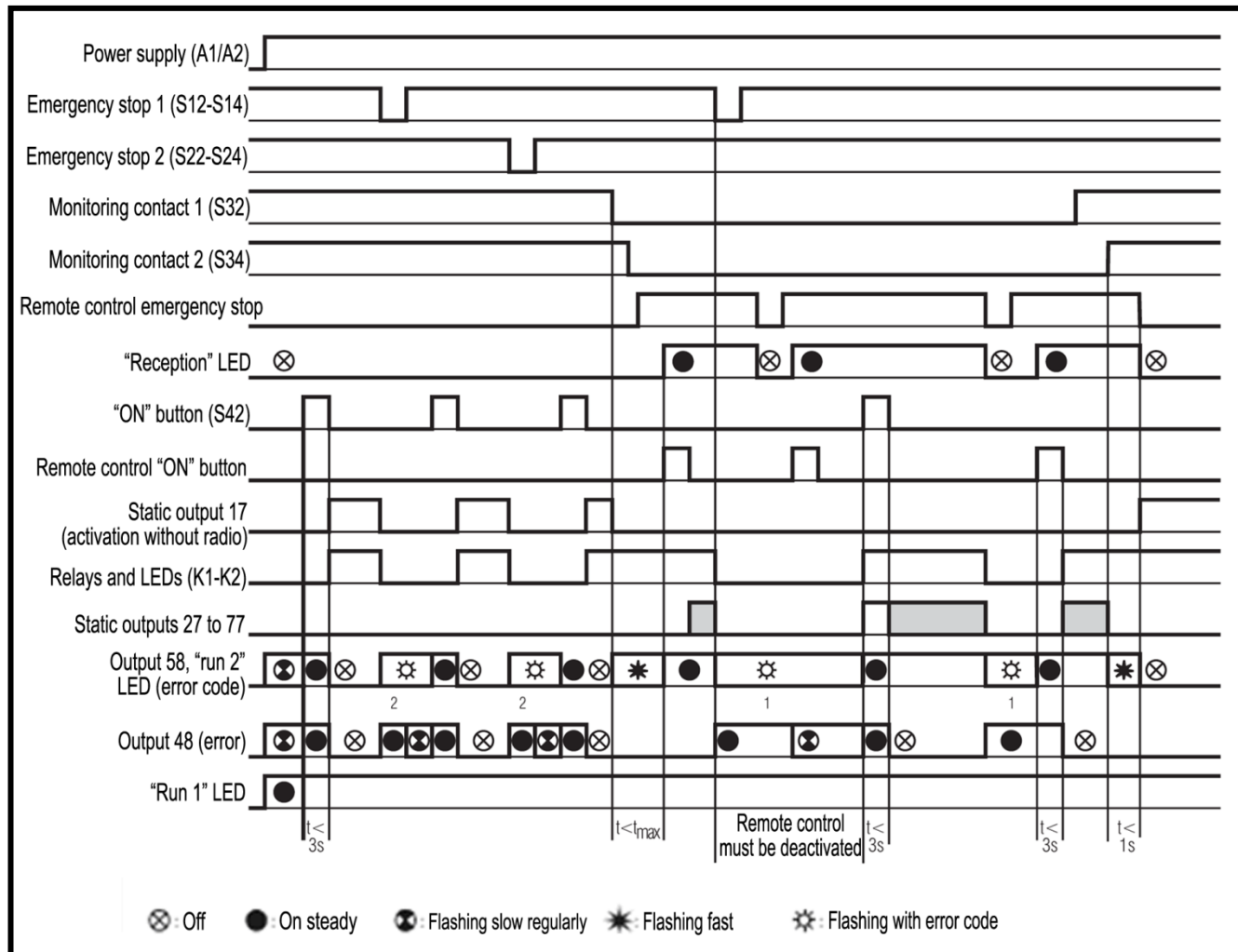
Output 17: Operating modes 0 to 4 and 8,9: Green light for indicating operation without activated remote control
 Attention: In operating modes 5,6 and 7, the activation of the start button from the remote control activates the output 17. This operation mode must not be used when the reduced speed of the machine shall be monitored.

6.2.1 Diagram of functions according to program selected.

Reminder : The program is selected using the 2 « B » switches See § 3.4.1 “Choice of receiver (RSRA) program”.

Switch B = 0:

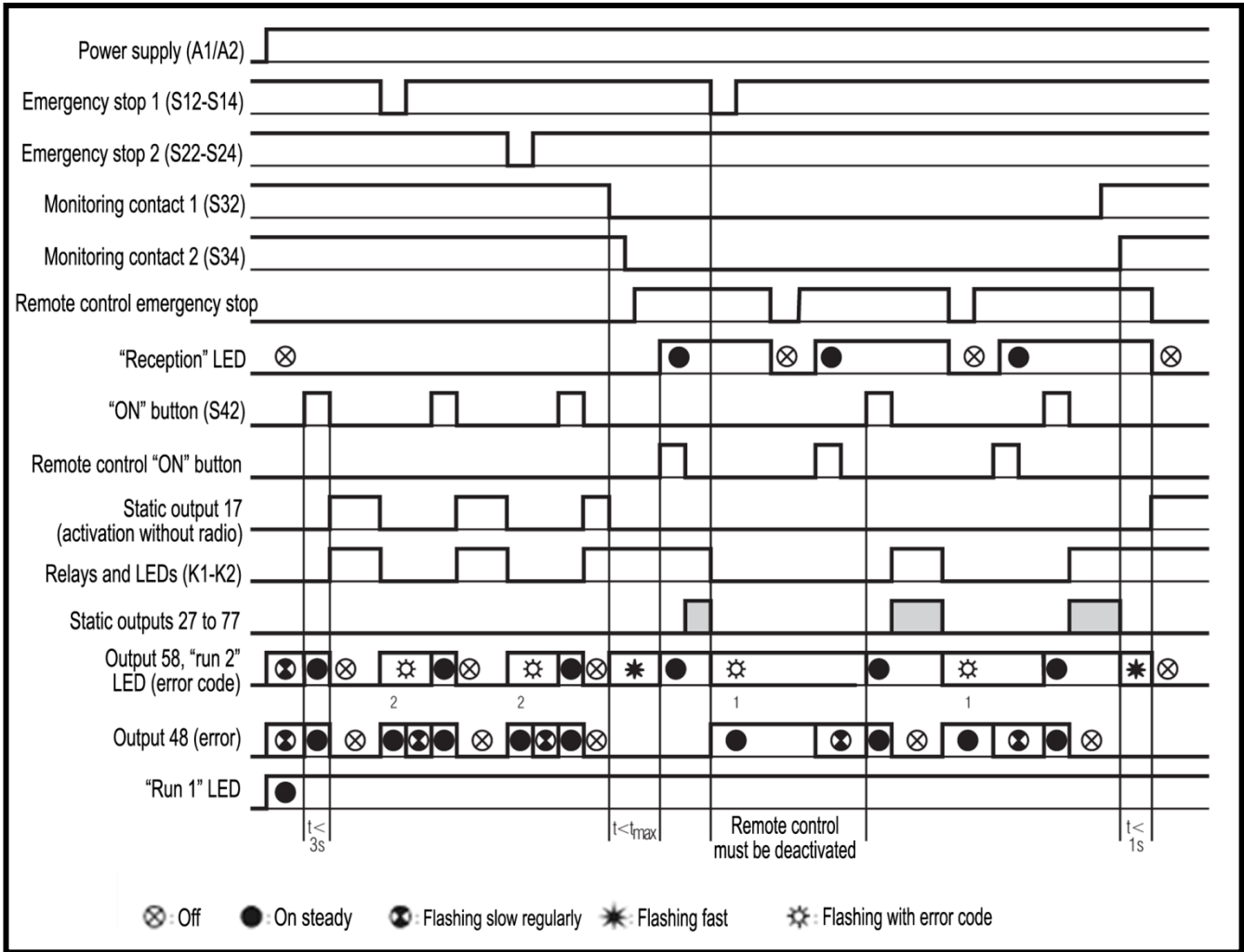
- Protection circuits connected to S12-S14 and S22-S24 always active.
- Manual startup only by “ON” button connected to S42
- Transmitter acknowledged provided one of charger contacts connected to S32 or S34 opens.
- Transmitter emergency stop reset by « ON » button : green



t_{max} .: maximum time for transmitter enable after it is picked up off charger.

Switch B = 1:

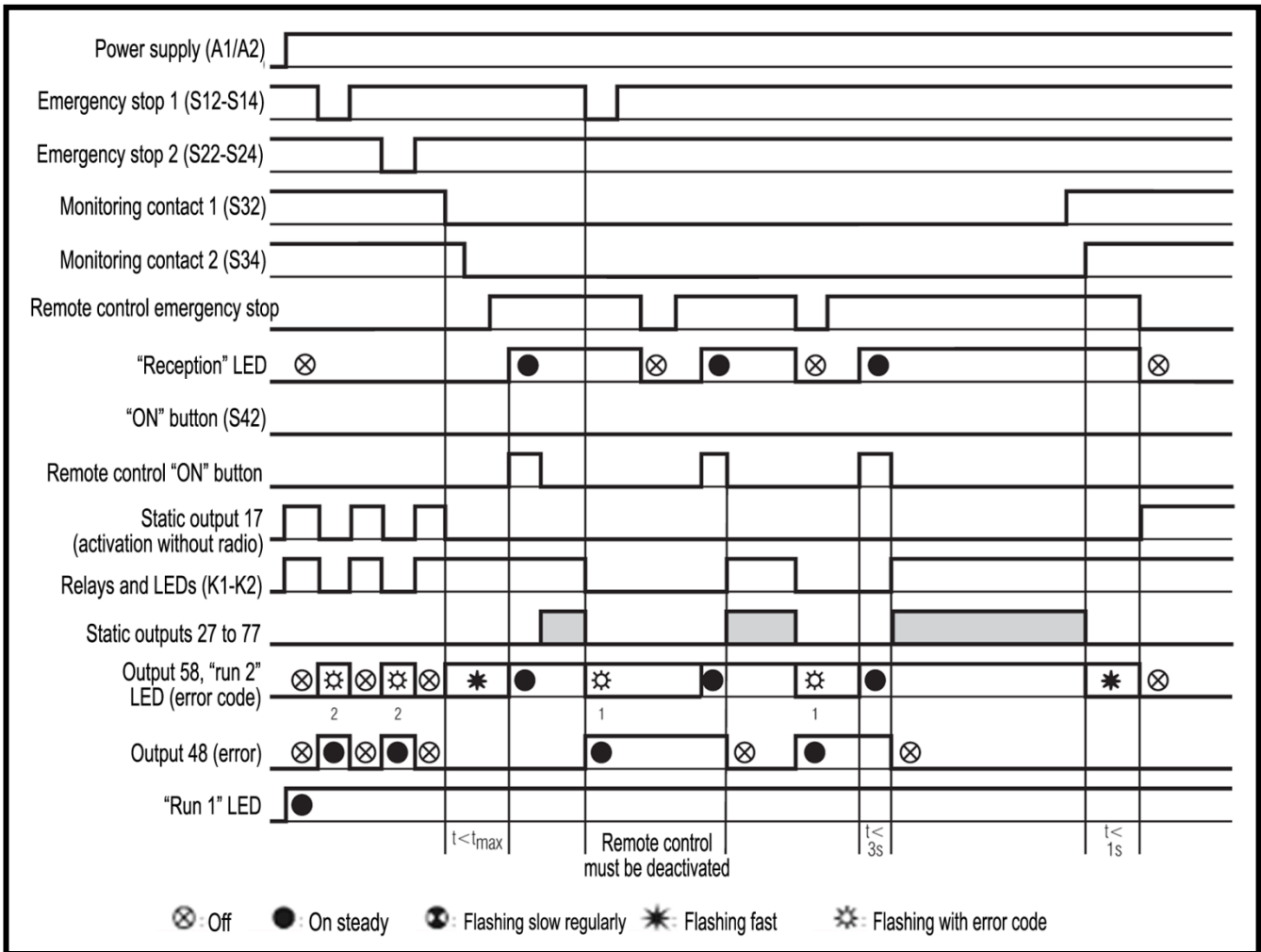
- Protection circuits connected to S12-S14 and S22-S24 always active.
- Manual startup only by «ON» button connected to S42
- Transmitter acknowledged if one of charger contacts connected to S32 and S34 opens.
- Reset of transmitter emergency stop by «ON» button connected to S42 after reset of remote control by its «ON» button, green



t_{max} .: maximum time for transmitter enable after it is picked up off charger.

Switch B = 2:

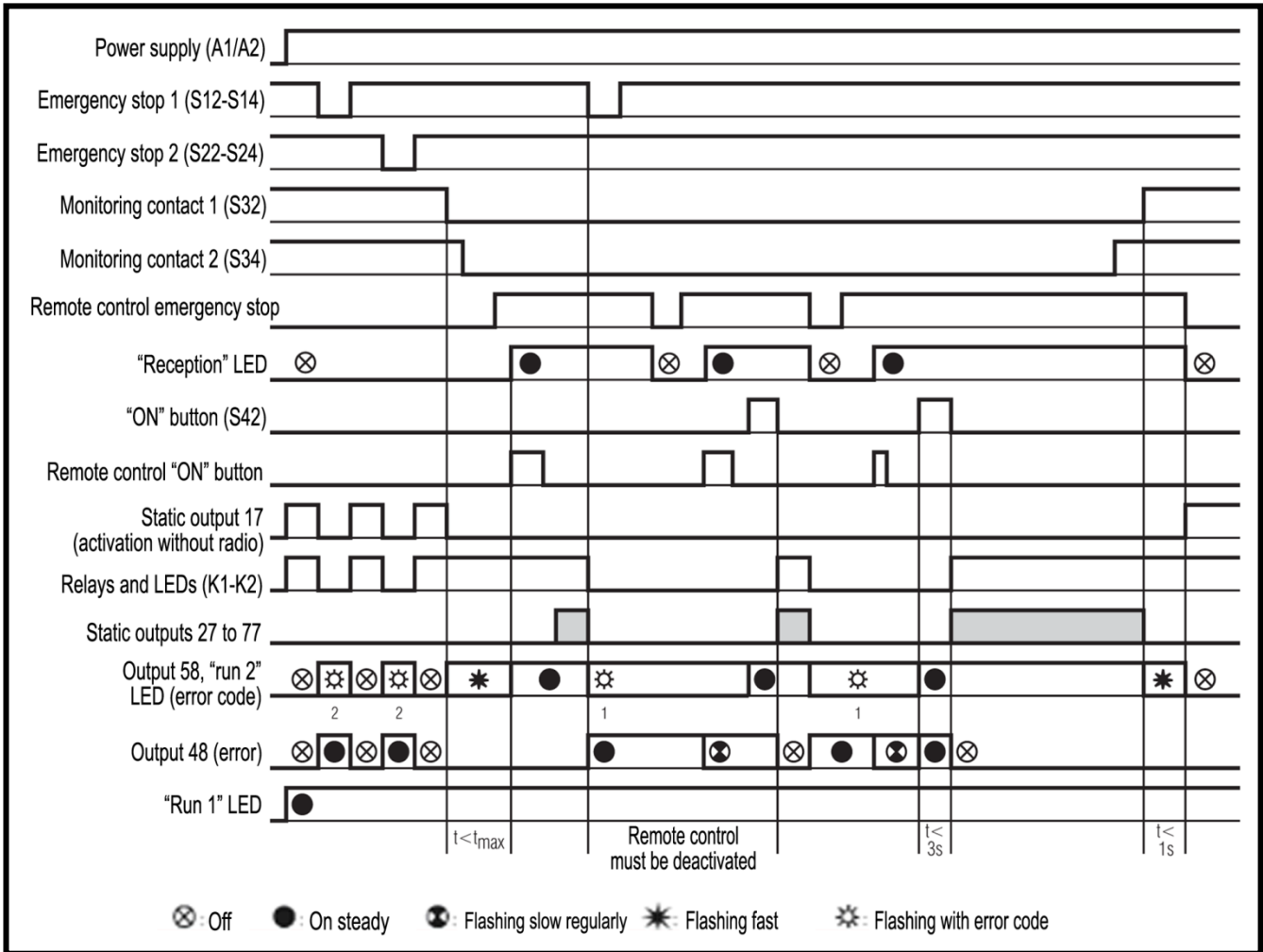
- Protection circuits connected to S12-S14 and S22-S24 always active, automatic startup.
- Transmitter acknowledged if one of charger contacts connected to S32 and S34 opens.
- Reset of transmitter emergency stop by its "ON" button, green.



t_{max} .: maximum time for transmitter enable after it is picked up off charger.

Switch B = 3:

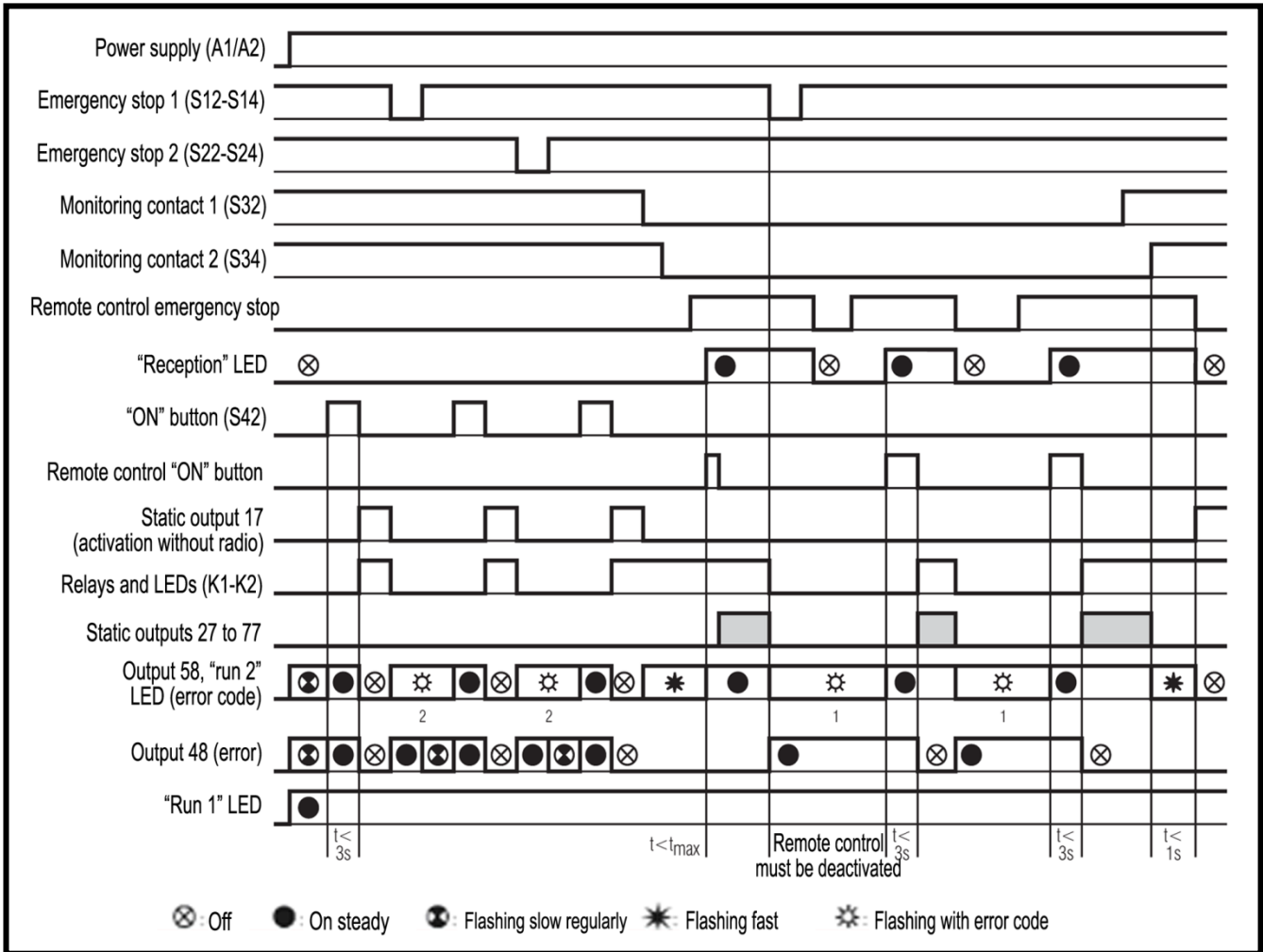
- Protection circuits connected to S12-S14 and S22-S24 always active, automatic startup.
- Transmitter acknowledged if one of charger contacts connected to S32 and S34 opens.
- Reset of transmitter emergency stop by «ON» button connected to S42 after reset of transmitter by its «ON» button, green.



t_{max} .: maximum time for transmitter enable after it is picked up off charger.

Switch B = 4:

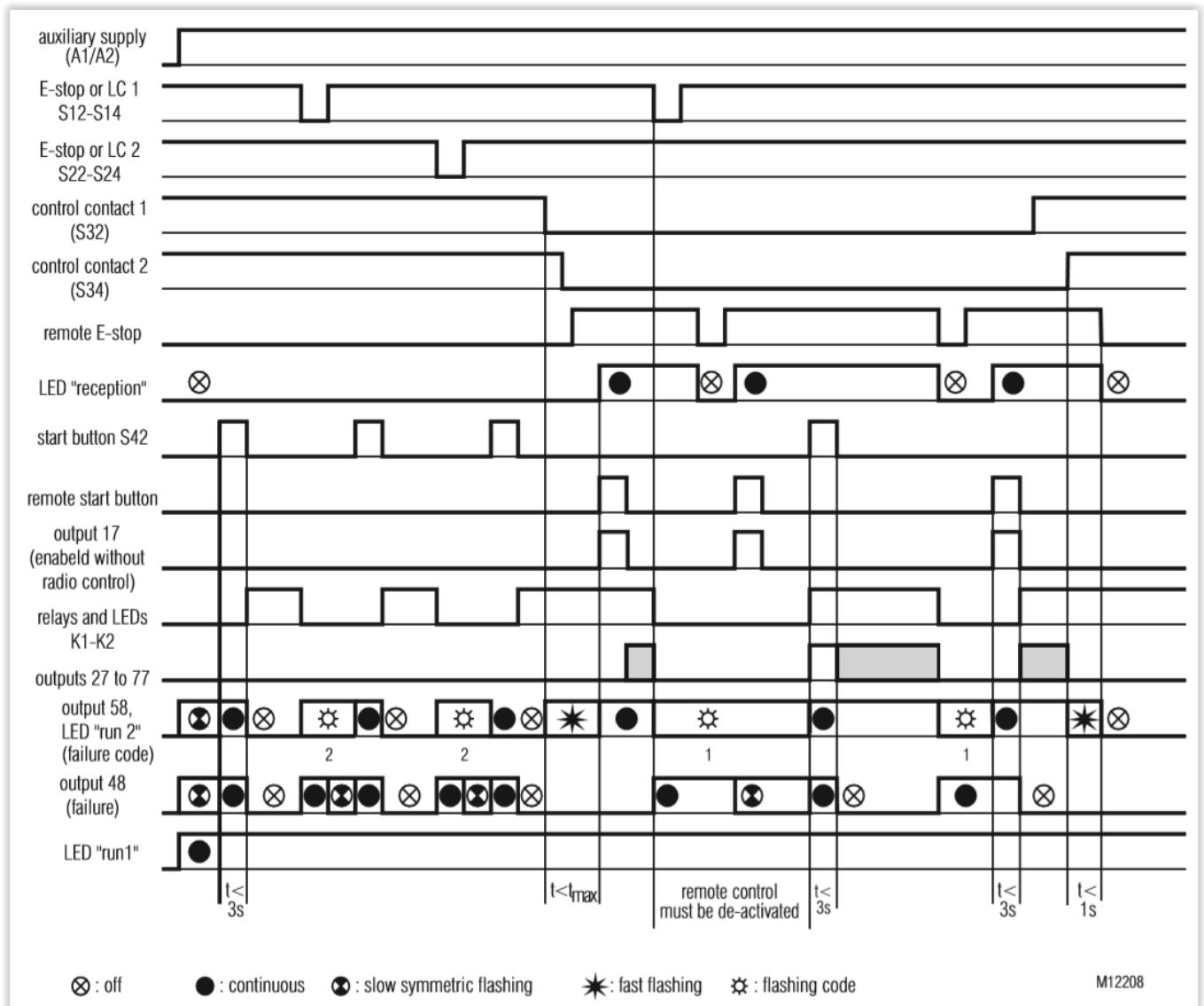
- Protection circuits connected to S12-S14 and S22-S24 always active, manual startup by «ON» button connected to S42
- Transmitter acknowledged if one of charger contacts connected to S32 and S34 opens.
- Manual startup by transmitter «ON» button possible for all functions.



t_{max} .: maximum time for transmitter enable after it is picked up off charger.

Switch B = 5:

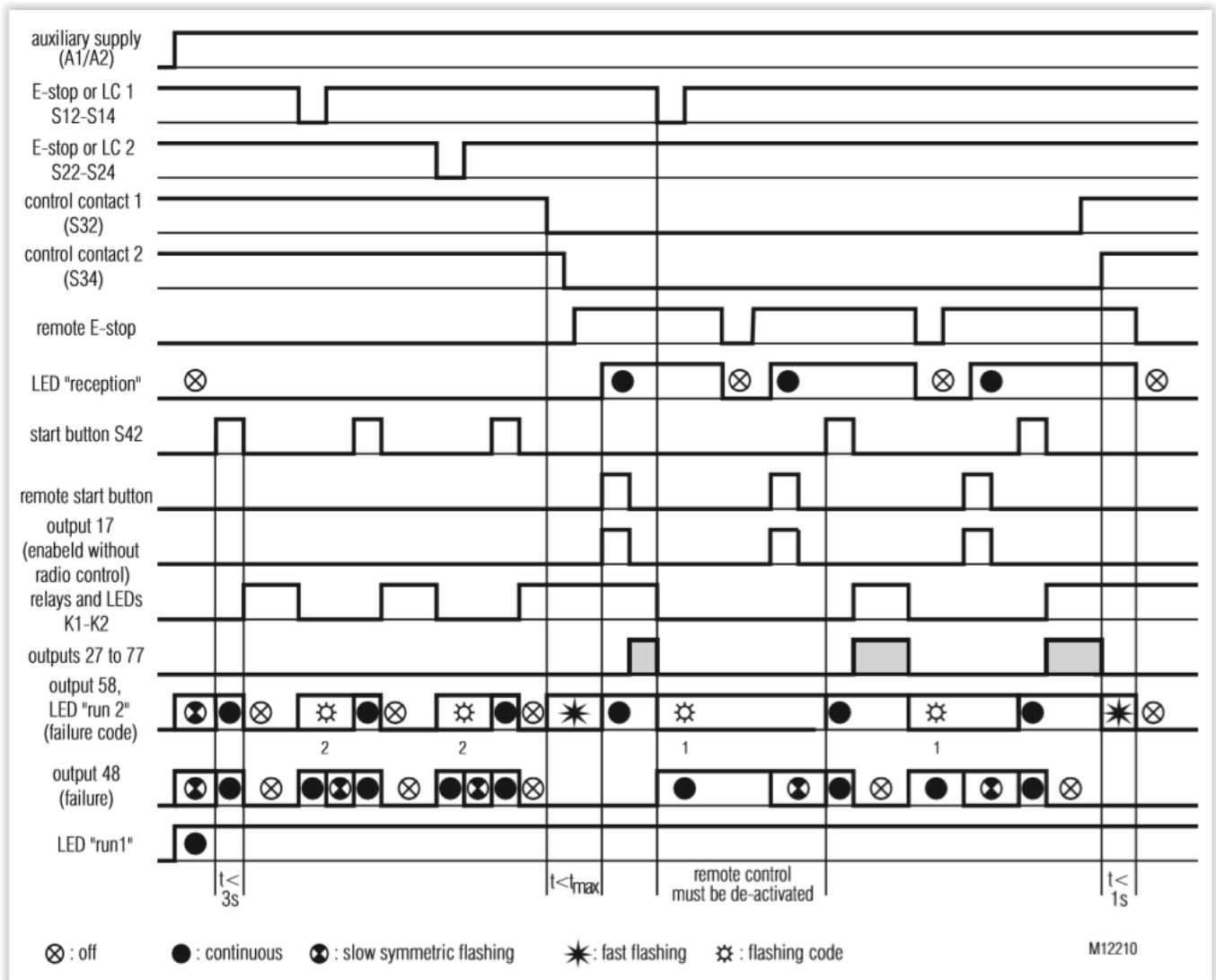
- The safety elements on S11-S14 and S21-S24 are always considered, manual start only via start button on S42
- The remote control is only considered if at least one of the control contacts on S32 or S34 is open.
- Reset of radio emergency stop with start button on remote control including infrared
- t_{max} . = maximum time to activate the remote control set with rotary switch A
- Activation from the Start button on the remote control activates the output 17
- Only in combination with IR
- This operation mode must not be used when the reduced speed of the machine shall be monitored



t_{max} .: maximum time for transmitter enable after it is picked up off charger.

Switch B = 6:

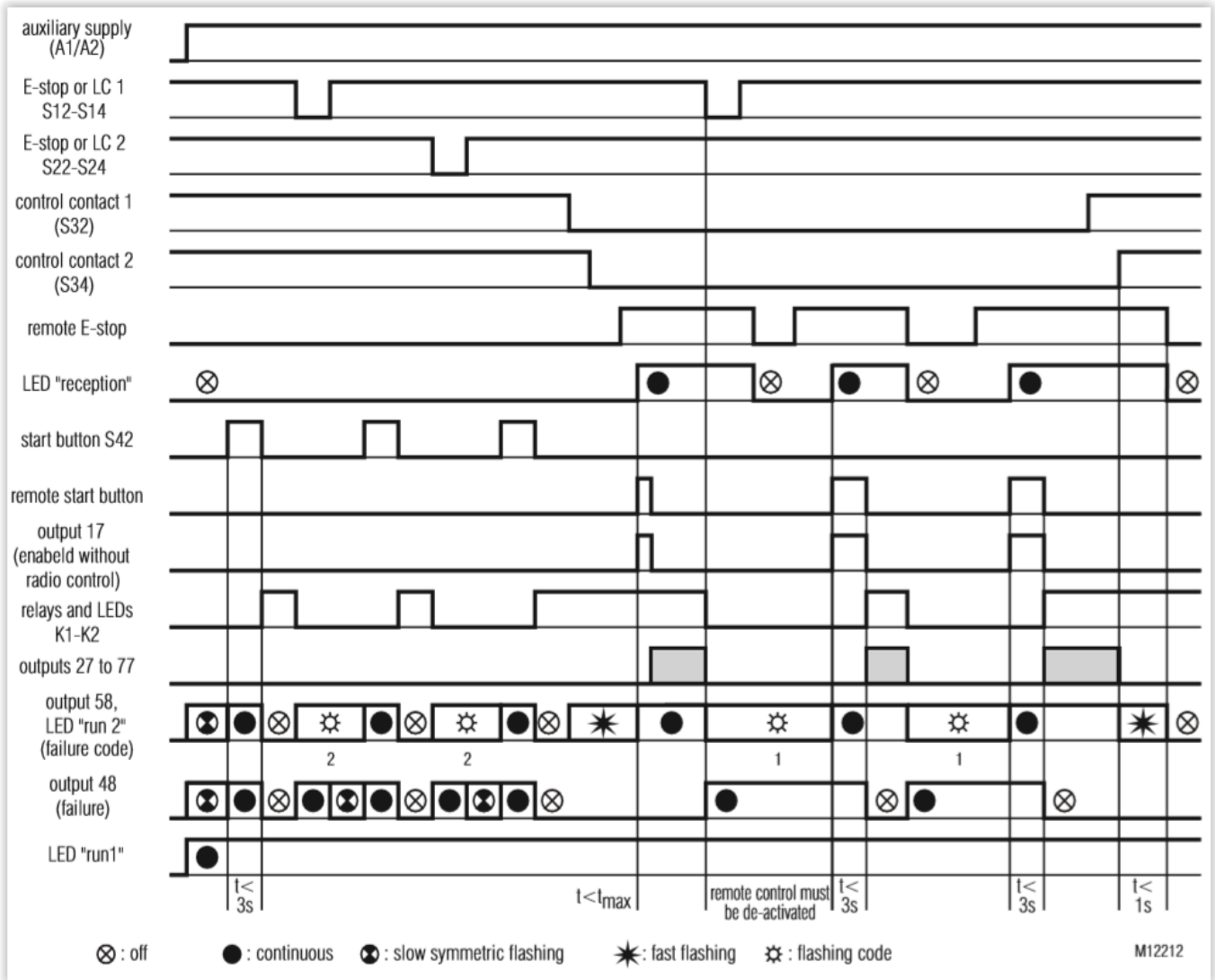
- The safety elements on S11-S14 and S21-S24 are always active, manual start
- The remote control is only considered if at least one of the control contacts on S32 or S34 is open.
- Reset of all failures with start button on S42 or through remote start button including infrared.
- t_{max} . = maximum time to activate the remote control set with rotary switch A
- Activation from the Start button on the remote control activates the output 17.
- This operation mode must not be used when the reduced speed of the machine shall be monitored.



t_{max} .: maximum time for transmitter enable after it is picked up off charger.

Switch B = 7:

- The safety elements on S11-S14 and S21-S24 are always active, manual start
- The remote control is only considered if at least one of the control contacts on S32 or S34 is open.
- Reset of all failures with start button on S42 or through remote start button including infrared.
- t_{max} . = maximum time to activate the remote control set with rotary switch A
- Activation from the Start button on the remote control activates the output 17.
- Only in combination with IR.
- This operation mode must not be used when the reduced speed of the machine shall be monitored.



t_{max} .: maximum time for transmitter enable after it is picked up off charger.

6.2.2 Control of machine with area access control.

Programs 8 and 9 of the safety receiver are used to manage access to a machine area. The difference between these two programs is in the reset mode following a wireless emergency stop.

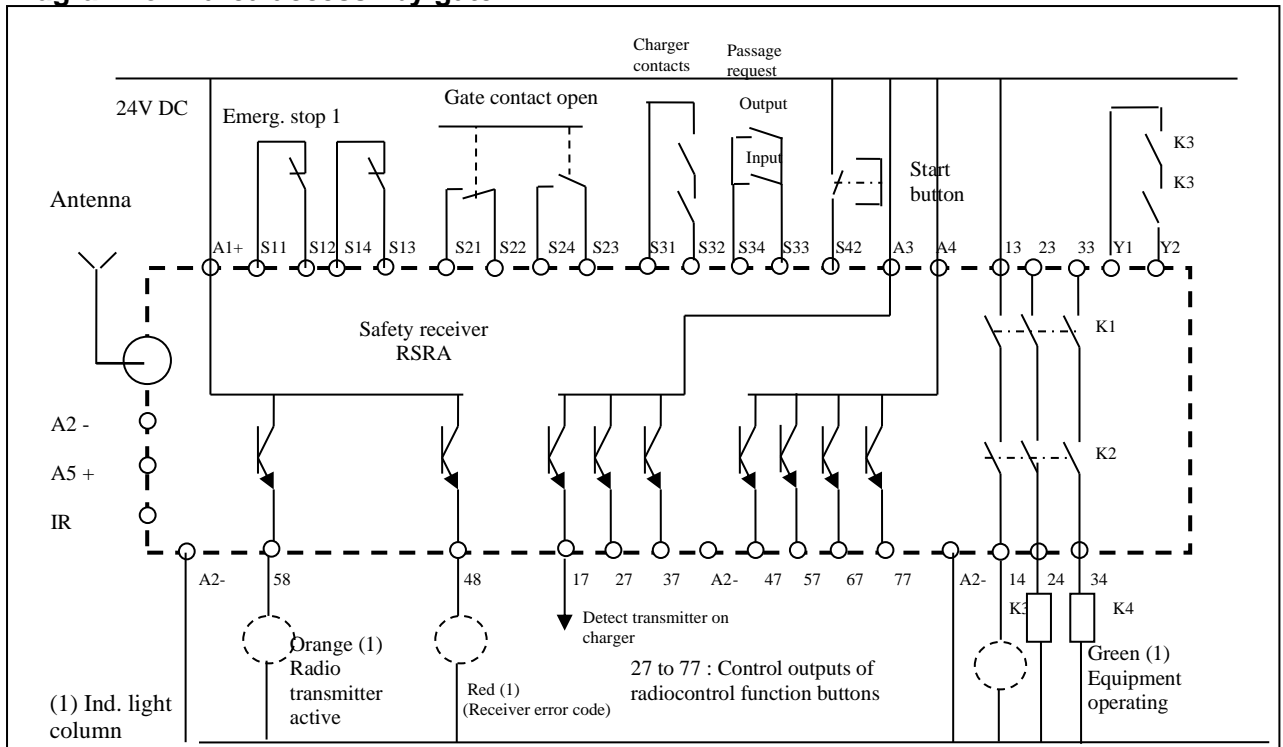
On the other hand, one of the two wired emergency stop inputs is used to manage dangerous area access.

See appendix “A” example application

6.2.2.1 Recommended wiring diagram

All the inputs must be wired, including the charger contacts, the « ON button » and the emergency stop input. If emergency stop inputs « S11-S12 and S13-S14 » are not used, they must be bridged two by two.

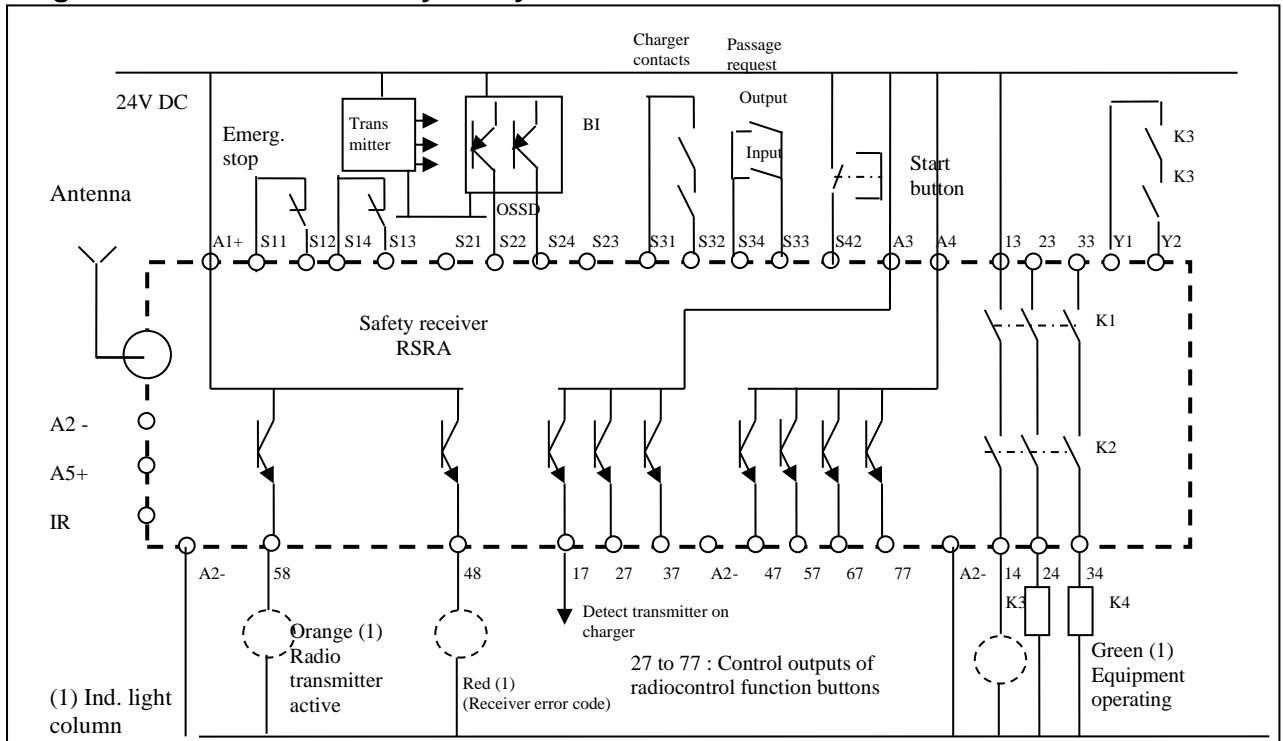
Diagram for "area access" by gate



Output 17: **Operating modes 0 to 4 and 8,9:** Green light for indicating operation without activated remote control

Attention: In operating modes 5,6 and 7, the activation of the start button from the remote control activates the output 17. This operation mode must not be used when the reduced speed of the machine shall be monitored.

Diagram for « area access » by safety barrier



Output 17: **Operating modes 0 to 4 and 8,9:** Green light for indicating operation without activated remote control

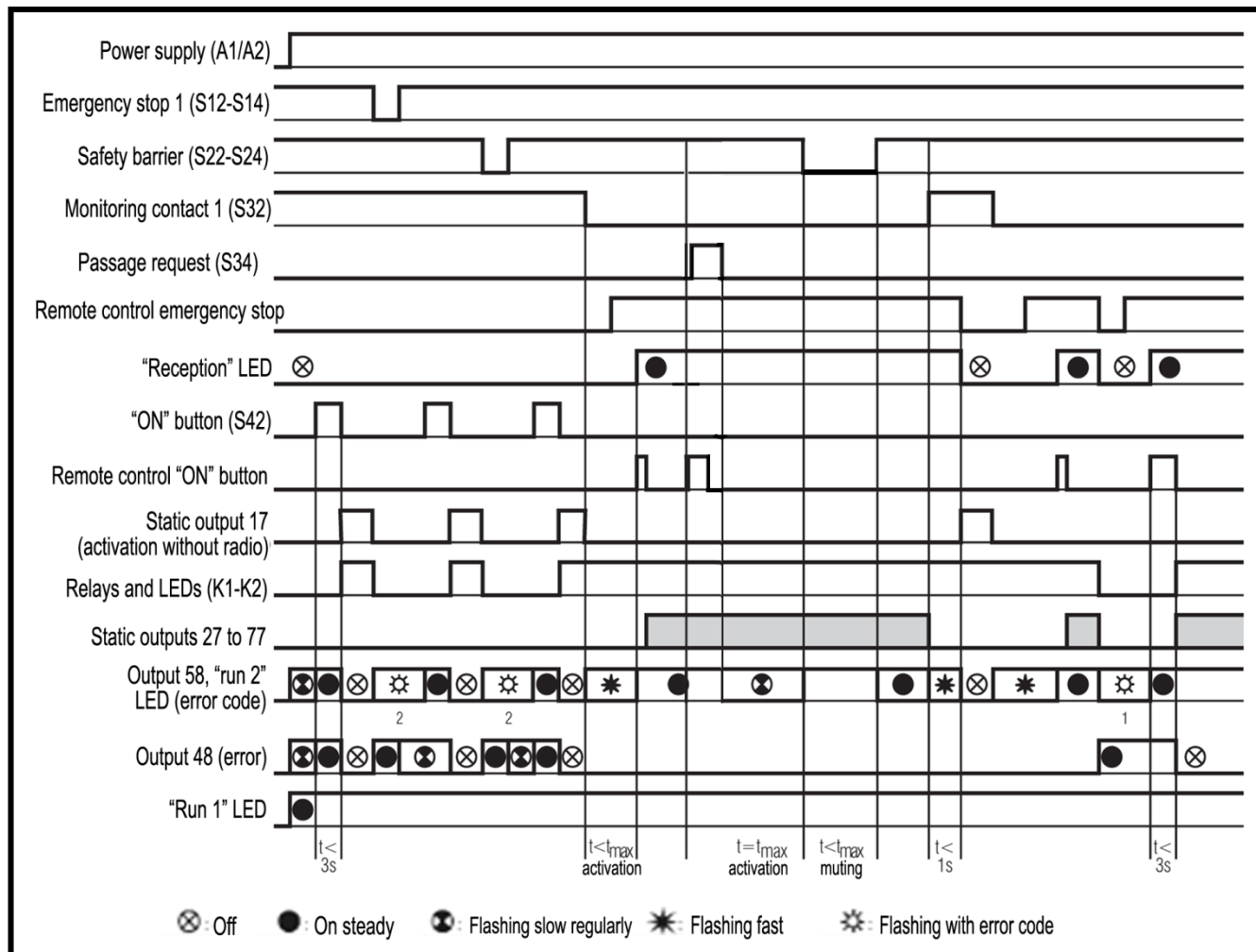
Attention: In operating modes 5,6 and 7, the activation of the start button from the remote control activates the output 17. This operation mode must not be used when the reduced speed of the machine shall be monitored.

6.2.3 Diagram of functions according to program selected

Reminder : The program is selected using the 2 « B » switches see § 3.4.1 “Choice of receiver (RSRA) program”.

Switch B = 8: Access to protected area

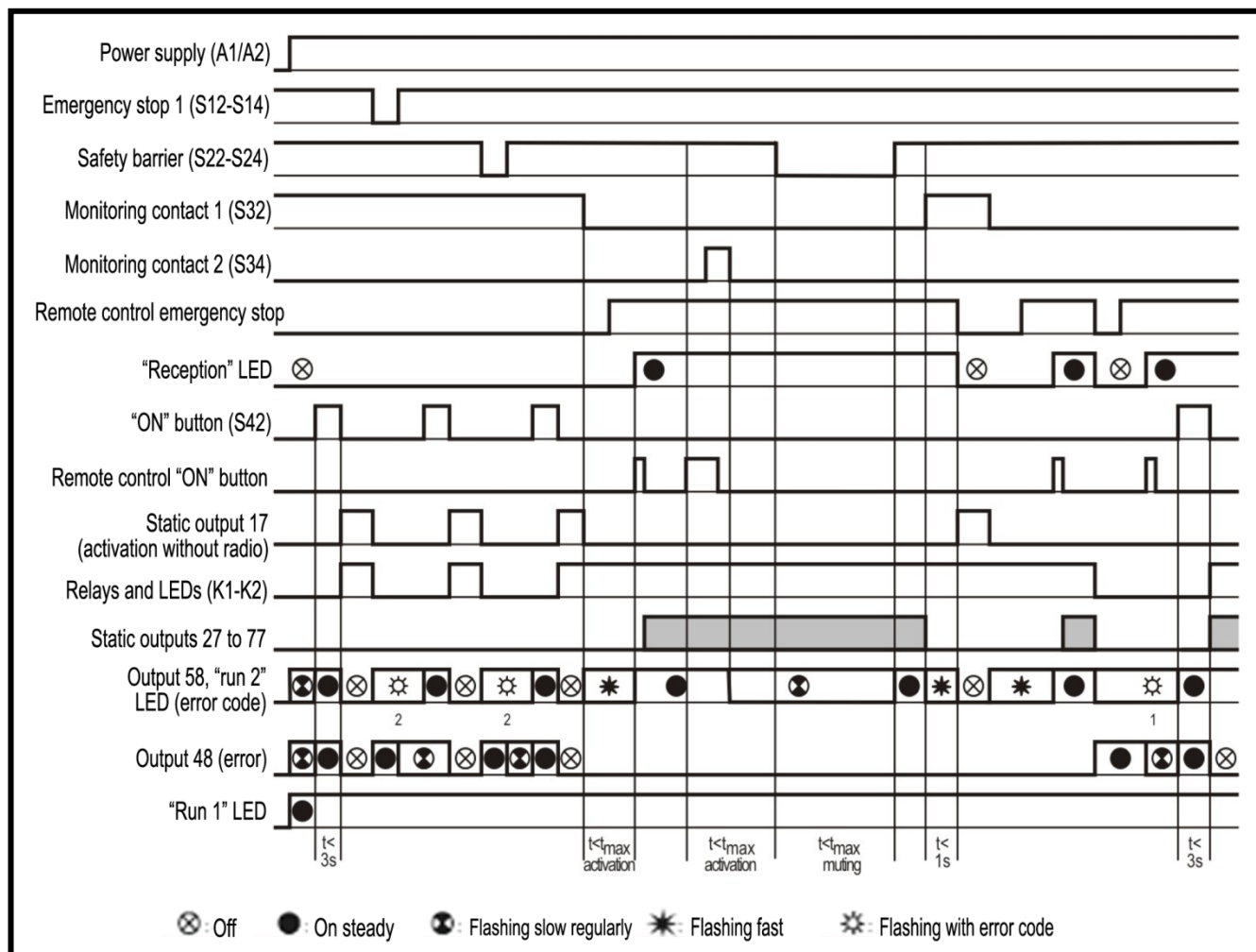
- Protection circuits connected across S12-S14 and S22-S24 always active if charger contact connected across S31 and S32 is closed.
- Manual startup only by «ON» button connected to S42 following an area access request.
- Transmitter acknowledged if charger contact across S31 and S32 is open.
- Time-delayed inhibit of safety element connected to S22-S24.
- Manual startup by «ON» button of remote control is possible.



t_{max} .: maximum time for enable of remote control after it has been picked up from charger and maximum time for inhibiting protection.

Switch B = 9: Access to protected area

- Protection circuits connected to S12-S14 and S22-S24 always active if charger contact connected across S31 and S32 is closed
- Manual startup only by «ON» button connected to S42.
- Transmitter acknowledged if charger contact across S31 and S32 is open.
- Time-delayed inhibit of safety element connected to S22-S24 following area access request
- Reset of remote control emergency stop only by «ON» button connected to S42 after reset of remote control by its «ON» button, green



tmax.: maximum time for enable of remote control after it has been picked up from charger and maximum time for inhibiting protection.

7 Installation recommendations

7.1 General information

Experience has shown that functional reliability basically depends on the quality of the installation, in particular as concerns the following points :

- Interference suppression,
- Choice of utilization frequency,
- Identification of equipment controlled,
- Position of receiver and antenna,
- Quality of wiring of associated systems and receiver,
- Protection of electrical power supply,
- Maximum current of static outputs.

7.2 Choice of utilization frequency

The 64 radio channels of the RADIOSAFE system provide a wide choice among the available frequencies.

For good operating quality, you must ensure that the radio channel used is free throughout the area where the unit will be controlled.

If several products are operating on the same site, you should use frequencies that are spaced by at least 2 channels (for example : 5,7,9...), and if necessary, a frequency plan should be drawn up identifying the various machines controlled and their working frequencies.

To change frequency, refer to the section 8.3.1 “Procedure for programming frequency”.

433-434MHz bands, with adjacent intervals of 0,025MHz

Channel	Frequency MHz
01	433,100
02	433,125
03	433,150
04	433,175
05	433,200
06	433,225
07	433,250
08	433,275
09	433,300
10	433,325
11	433,350
12	433,375
13	433,400
14	433,425
15	433,450
16	433,475
17	433,500
18	433,525
19	433,550
20	433,575 (1)
21	433,600
22	433,625 (1)

Channel	Frequency MHz
23	433,650
24	433,675 (1)
25	433,700
26	433,725 (1)
27	433,750
28	433,775 (1)
29	433,800 (2)
30	433,825 (1) (2)
31	433,850 (2)
32	433,875 (1) (2)
33	433,900 (2)
34	433,925 (1) (2)
35	433,950 (2)
36	433,975 (1) (2)
37	434,000 (2)
38	434,025 (1) (2)
39	434,050 (2)
40	434,075 (2)
41	434,100 (2)
42	434,125 (2)
43	434,150 (2)
44	434,175 (2)

Channel	Frequency MHz
45	434,200 (2)
46	434,225 (2)
47	434,250 (2)
48	434,275 (2)
49	434,300 (2)
50	434,325 (2)
51	434,350 (2)
52	434,375 (2)
53	434,400 (2)
54	434,425 (2)
55	434,450 (2)
56	434,475 (2)
57	434,500 (2)
58	434,525 (2)
59	434,550 (2)
60	434,575 (2)
61	434,600 (2)
62	434,625 (2)
63	434,650 (2)
64	434,675 (2)

(1)= List of frequencies available for Denmark

(2)= List of frequencies available for Singapore

7.3 Receiver and charger installation precautions.

The receiver and charger wiring must always be performed with all power shut down.

Provide a fuse protection circuit connected in series on input A1 (24V DC) of the receiver. See section 3.2 “Receiver RSRA”.

The product should be installed near the intervention area. For this purpose, we strongly recommend that the receiver be mounted in a housing.

On the front panel of the housing, we recommend wiring:

- An emergency stop.

A wired emergency stop should be mounted on the front panel of the housing. This emergency stop can be used when the radio remote control is set on its charger.

- A « system on » button.

The « system on » button is used to reset the receiver module when commissioning or following a fault.

On the sides of the unit, we recommend:

- Mounting the charger support

To avoid any ambiguity when the radio remote control is inactive, placed on its charger, we recommend that you do not mount the charger support in a way which is directly visible by the operators. For example, a protective screen plate could be used as shown in the photo below.

On the top of the housing, we recommend :

- Mounting an indicator light assembly.

The indicator light column will show the state of the equipment and the radio remote control transmitter. The indicator light column information sheet should be fastened near the indicator light column (See example given on last page of manual).

Product mounted in housing



Indicator light column information sheet



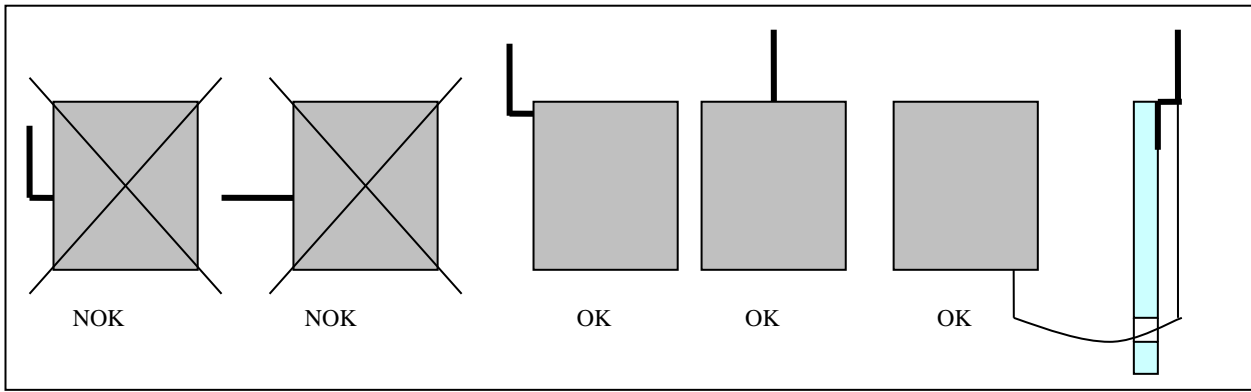
7.3.1 Special case – Equipment area access

For an area access configuration (application program 8 or 9), an access authorization request pushbutton must be wired on either side of the area access. The two buttons will allow the operator to access and exit the intervention area. See wiring diagram in section 6.2.2 “Control of machine with area access control.”



7.3.2 Receiver antenna installation position

Supplied with the product is an antenna, a 50 cm antenna extender and a BNC-BNC elbow. If a metal electrical housing is used, the receiver antenna should be remote-mounted on the top of the housing. If a plastic housing is used, the receiver antenna can be connected directly on the RADIOSAFE receiver. In the event of poor radio wave propagation, for example when intervening in an enclosure, we recommend that the receiver antenna be remote-mounted inside the enclosure. Contact us for the choice of antenna extension.



8 Commissioning

8.1 Commissioning precautions

Before commissioning the system, the installer must :

Ensure :

- If several assemblies are installed, that the transmitter electronic key and the receiver have the same identity code. Check that this information matches up on the key identification sheet and on the receiver label.
- That the radio channel selected corresponds to the frequency plan defined for the site. **The product is supplied configured for channel 01 (433,1 MHZ)**. If necessary, refer to the section covering the frequency change procedure.
- That the transmitter "activity monitoring" time complies with your application (product supplied with "activity monitoring" time configured for 15 min.). Refer to the section covering the procedure for programming this duration. **8.3.2 "Procedure for programming « transmitter activity monitoring » duration**.
- That the application program selected on the receiver is consistent with your wiring.
- That the transmitter battery is properly charged. The orange indicator light on the transmitter should be off when the emergency stop palmswitch is unlocked.

8.2 Starting up the radio remote control

- 1- Place the transmitter on its charger.
- 2- Switch on the receiver and reset it by pressing the wired ON pushbutton connected to input S42 of the receiver.
 - On the receiver, indicator light V1 should come on and indicator light V2 should go off.
- 3- Remove the transmitter from its charger.
- 4- Unlock, press then unlock again the transmitter emergency stop palmswitch (1).
- 5- Wait until the orange indicator goes off before pressing on the green "On" button.
 - The green indicator light on the transmitter should flash
 - White indicator lights V1 and V2 on the receiver should come on steady

To stop the remote control : press the emergency stop palmswitch on the transmitter.

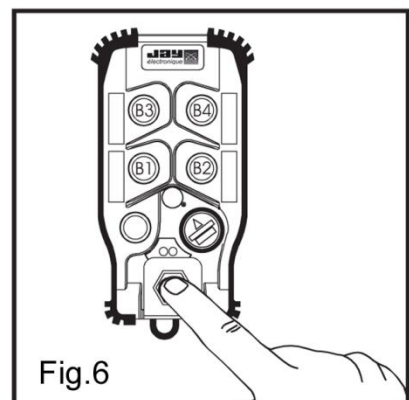
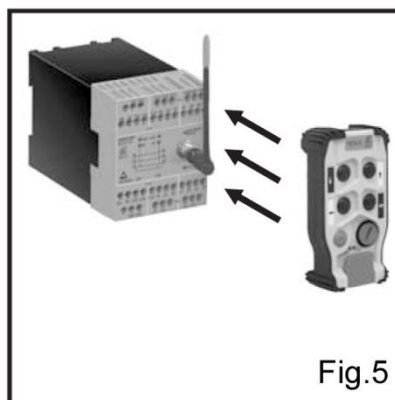
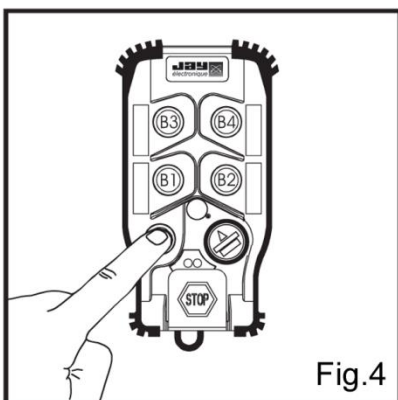
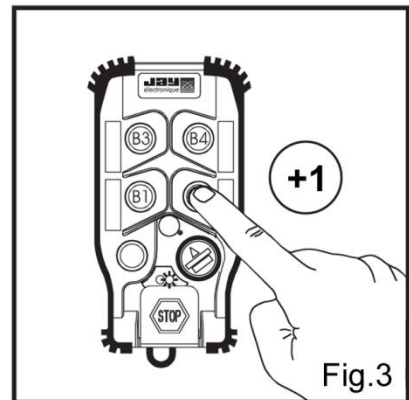
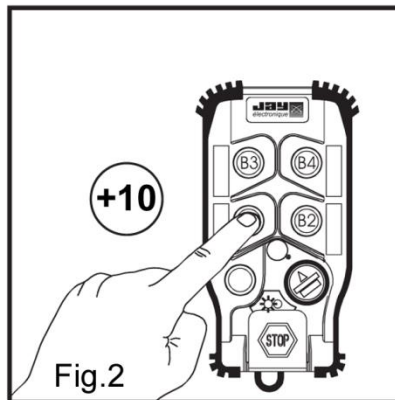
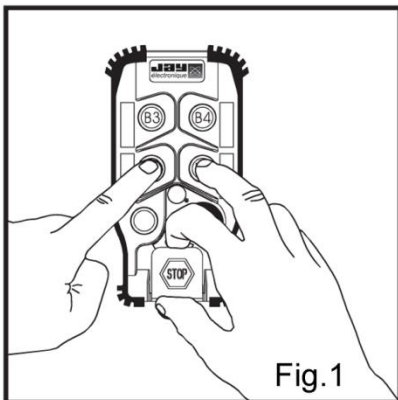
Reminder : When the emergency stop palmswitch on the transmitter is pressed, the receiver safety relays immediately change state.

(1) Procedure for checking correct operation of emergency stop palmswitch

8.3 Configuring the transmitter.

8.3.1 Procedure for programming frequency

- 1- Switch on the receiver.
- 2- Insert the electronic key in the transmitter.
- 3- - Press and hold buttons B1 and B2,
- unlock the emergency stop palmswitch on the transmitter (fig.1),
- Wait until the orange indicator goes off before releasing buttons B1 and B2.
The channel currently selected is indicated by two flashing indicator lights on the transmitter representing the tens (orange) and the units (green).
- 4- Select the new channel using channels B1 and B2 (Figs.2&3).
By pressing button B1, the tens are incremented ; by pressing button B2, the units are incremented.
During these operations, the newly selected channel is indicated by the 2 indicator lights on the transmitter which flash accordingly.
- 5- Once the desired channel is selected (choice of No. 01 to 64), press the "ON" button to validate your selection (Fig. 4).
Briefly press « ON » : The transmitter sends the number of the selected channel to the receiver and saves its new working channel (Fig.5).
By pressing and holding « ON » (3 seconds) : The transmitter sends the number of the selected channel to the receiver (on each of the radio link channels) and saves its new working channel. Wait until the transmitter indicator lights stop flashing (around 30 s.) (Fig.5) (*this procedure, which is preferable but longer, should be followed when you do not know the initial working channel of the receiver*).
- 6- Exit the « frequency » programming mode by pressing the emergency stop palmswitch (Fig. 6).



8.3.2 Procedure for programming « transmitter activity monitoring » duration.

Note : The product is supplied with the “activity monitoring” duration set for 15 minutes.

Changing the counting unit

- 1- - Push and hold button B1.
- 2 - Unlock the emergency stop palmswitch on the transmitter,
- 3 - Wait until the orange indicator goes off before releasing button B1.
The counting unit is indicated by the two indicator lights on the transmitter.
When ON, the orange indicator light indicates that the counting unit is in minutes.
When ON, the green indicator light indicates that the counting unit is in seconds.
- 4- Select the new counting unit using button B2.
- 5- Once the new counting unit is selected, press the “On” button to validate your choice.
- 6- Exit the programming mode by pressing the emergency stop palmswitch.

Setting the duration

- 1- **Switch off the receiver.**
- 2- Insert the electronic key in the transmitter.
- 3- - Press and hold buttons B1 and "On",
- unlock the emergency stop palmswitch on the transmitter (Fig.1),
- Wait until the orange indicator goes off before releasing buttons B1 and "On".
The duration of the « activity monitoring » function is indicated by the two flashing indicator lights on the transmitter, representing the tens (orange) and the units (green) of the number of minutes or seconds configured.
- 4- Select the new duration using buttons B1 and B2 (Fig.2&3).
By pressing button B1, the tens are incremented, by pressing button B2, the units are incremented.
During these operations, the newly selected duration is indicated by the two indicator lights on the transmitter.
- 5- Once the new duration is selected (between 01 and 99), press the “On” button to validate your choice (Fig. 4).
Caution, No. 99 corresponds to an infinite « activity monitoring » duration when the counting unit is in « minutes » (1) . When the counting duration is in “seconds”, the number 99 corresponds to 99 seconds.
> The function is then deactivated ; if you forget to stop the transmitter, it will discharge completely.
- 6- Exit the « activity monitoring » duration programming mode by pressing the emergency stop palmswitch (Fig. 6).

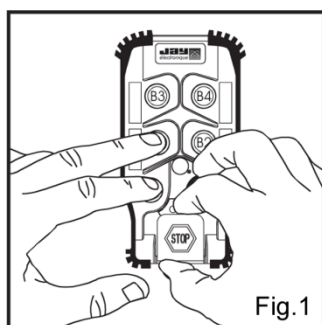


Fig.1

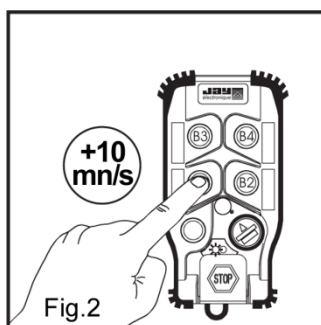


Fig.2

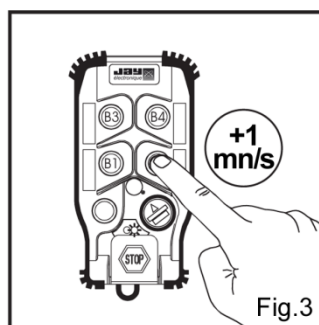


Fig.3

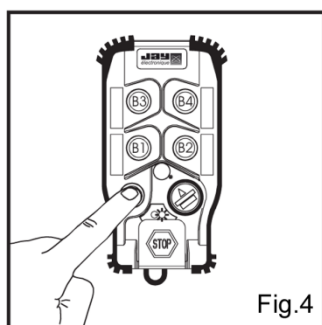


Fig.4

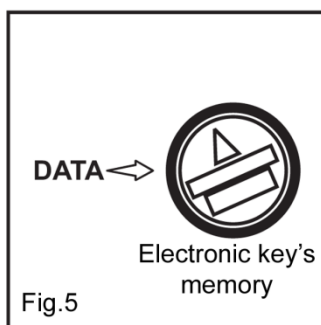


Fig.5

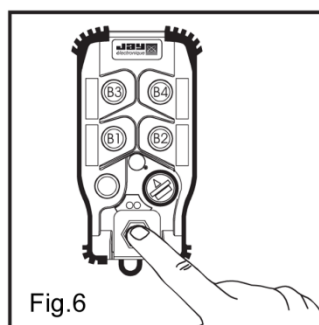


Fig.6

(1) Caution: functioning mode without « activity monitoring » could be dangerous.

Be sure to indicate the new transmitter “activity monitoring” duration on the key identification sheet.

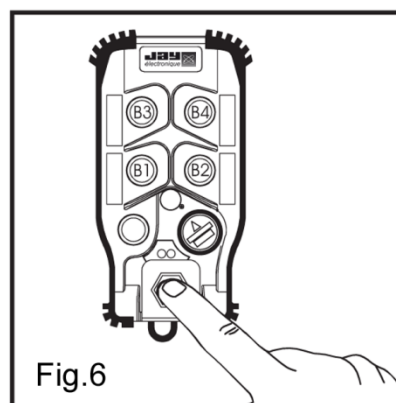
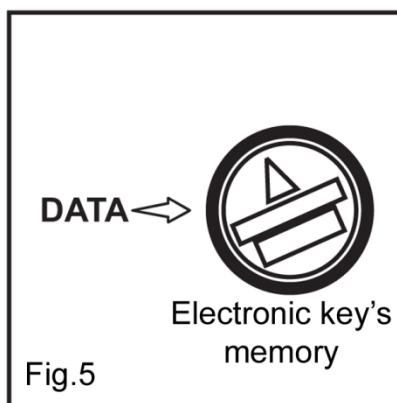
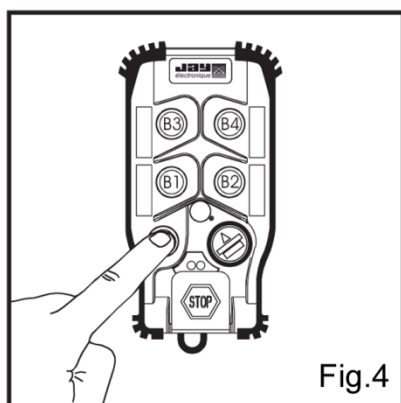
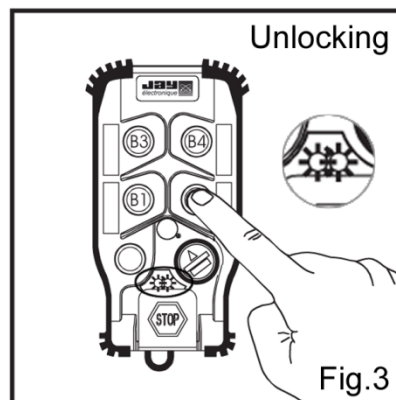
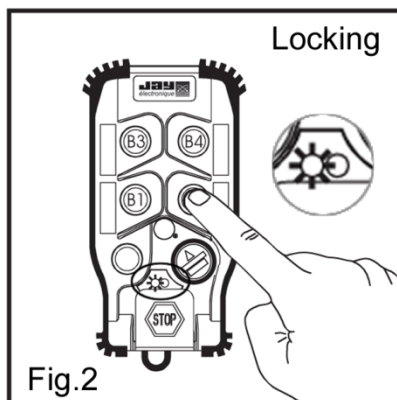
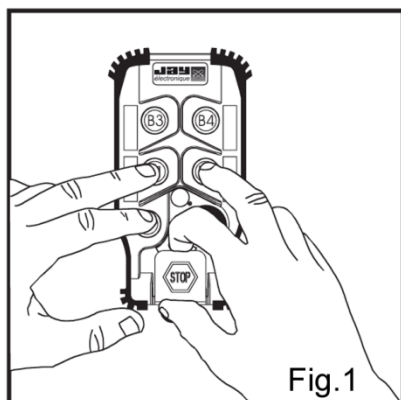
8.3.3 Procedure for « locking – unlocking » access to transmitter programming

- 1- Switch off the receiver.
- 2- Insert the electronic key in the transmitter.
- 3- - Press and hold buttons B1, B2 and " On ",
- Unlock the emergency stop palmswitch (fig.1),
- Wait until the orange indicator goes off before releasing buttons B1, B2 and "On".

Led indications :

- transmitter **locked** : orange indicator light on, green indicator light off.
 - transmitter **unlocked** : orange and green indicator lights on.
- 4- Select the locked or unlocked state by pressing button B2 ; the selected mode is indicated on the indicator lights (Fig. 2&3).
 - 5- Validate the selected mode by pressing the "On" button (Fig.4).
 - 6- The transmitter (URE) saves the new mode in the electronic key and switches off the indicator lights.
 - 7- Exit the « lock-unlock » configuration mode by pressing the emergency stop palmswitch (Fig.6).

Note: If an operator attempts to program the frequency or the duration for the « activity monitoring » time delay with the transmitter in the locked state, the transmitter will indicate an error by its indicator lights which will flash 4 times.



8.3.4 Procedure for « validation of an electronic key ».

Reminder :

To use the RADIOSAFE radio remote control system, the identity code contained in the transmitter memory **must be** identical to the identity code of the electronic key, which is itself identical to that of the receiver.

If a maintenance transmitter is used or an electronic key is changed, you must copy the information contained in the electronic key to the transmitter memory.

Condition for using this procedure :

The maintenance transmitter buttons must be configured identically to that described in the electronic key (or in the original transmitter).

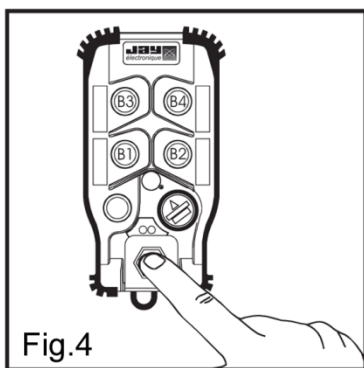
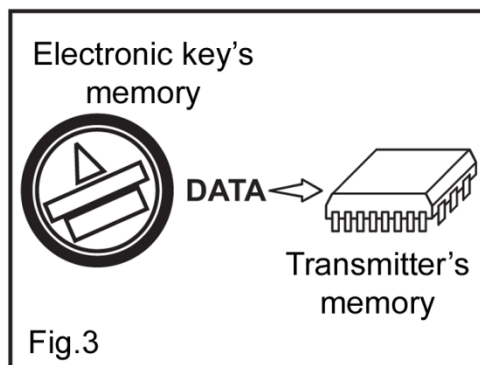
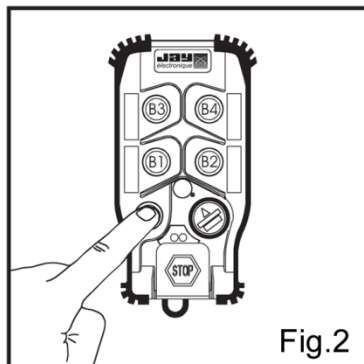
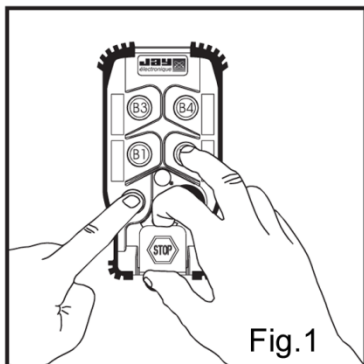
1- Switch off the receiver

2- Insert the electronic key in the transmitter.

- 3- - Push and hold buttons B2 and "On",
- Unlock the emergency stop palmswitch on the transmitter (Fig.1),
- Wait until the orange indicator goes off before releasing buttons B2 and "On".
The two indicator lights on the transmitter (URE) flash rapidly.

4- Press the ON button to automatically program the identity code : the two indicator lights on the transmitter go off (Fig.2). The « identity code » information is copied from the electronic key to the transmitter memory.

5- Exit the programming mode by pressing the emergency stop palmswitch (Fig.4).



With a new key, the transmitter and receiver may not communicate. Check that the frequency channel has not been changed. If this is the case, refer to the previous chapter covering the "Procedure for programming frequency". In this respect, each new key is supplied set for channel 01, i.e. frequency of 433.100 MHZ.

9 Maintenance

9.1 Spare parts

Reference & designation.

RSWE21-B : Programmed electronic key (specify your key Nbr.)

PR0248 : Lithium-ion battery (1)

SCI-B : Industrial charger support

UCC4 : 24VDC- 5V DC charger power supply

UCCU : 230VAC- 5VDC charger power supply, European connector.

UCCW : 230VAC- 5VDC charger power supply, UK connector

(1) It is the user's responsibility to ensure that the batteries are correctly recycled. We will recycle your used batteries if returned to our plant.

9.2 Fault isolation

9.2.1 Transmitter fault isolation

Transmitter state	Orange ind. light	Green ind. light	Function
Before or after "On/Horn" bt. pressed	OFF	OFF	Shut down or "Dead man" time exceeded or RESET for discharged battery
Before "On/Horn" bt. pressed	OFF	ON	battery charge > 50%
Before "On/Horn" bt. Pressed	Flashes SLOW	ON	50% > battery charge > 10%
Before "On/Horn" bt. Pressed	Flashes FAST	ON	battery charge <10%
Before "On/Horn" bt. Pressed	ON	OFF	The orange led is ON during 2 seconds when the transmitter is initialized
Before "On/Horn" bt. Pressed	ON	ON	Electronic key reading error
Before "On/Horn" bt. Pressed	Flashes 3 times	Flashes 3 times	Error, mismatch detected between electronic key and URE memory., Reprogramming is required, see procedure "validation of an electronic key" .
Before or after "On/Horn" bt. Pressed	Flashes 4 times	Flashes 4 times	Faulty button(s)
Before "On/Horn" bt. Pressed	Flashes 5 times	Flashes 5 times	Stop or start-up error detected.
Before "On/Horn" bt. Pressed	Flashes 6 times	Flashes 6 times	Stop or start-up error detected.
Before "On/Horn" bt. Pressed	Flashes 7 times	Flashes 7 times	Internal error, electronic key or transmitter URE
Before "On/Horn" bt. pressed	Flashes 8 times	Flashes 8 times	Internal URE transmitter error
After "On/Horn" bt. pressed	OFF	Flash	Radio transmission
After "On/Horn" bt. pressed	Flashes FAST	Flash	Radio transmission + battery charge below 10%

9.2.2 Fault isolation relative to receiver parameter definitions or configuration

The safety receiver has two redundant electronic circuits integrating 4 microprocessors. For this reason, the fault and error indications are divided into two groups on these 4 processors.

- The 2 white indicator lights « V1 and V2 » indicate the state of the receiver safety functions.
 - Receiver state when transmitter is on its charger : "V1" On and "V2" Off.
 - Receiver state when transmitter is active : "V1 and V2" On.

Note : The states of indicator lights V3 and V4 is described in section 8.2.4.

In the event of a fault, at least one of the two indicator lights « V1 » or "run2 « V2 » is off, or both indicator lights flash. In this case, they may even flash with different error codes (No.).

Error code (number of consecutive flashes of 2 white indicator lights « V1 and/or V2 »	Error	Cause
Off	Communication error	In the event of a serious communication error, the 2 indicator lights « V1 » and « V2 » are off ; this is a serious error. The unit must be sent in for repair.
5	Adjustment error	V1 and V2 flash 5 times: the 10-position switches for the 2 circuits do not have the same positions.
6	Undervoltage or overvoltage	V1 flashes 6 times: the power supply voltage is less than 0.85Un V1 flashes 6 times: the power supply voltage is greater than 1.15Un
7	Short-circuit	One of the inputs is short-circuited
8	Safety relay error	V2 flashes 8 times : the return loop for terminals Y1-Y2 is not closed when the safety outputs are inactive. One of the output relays or its control circuit is defective.
9	Safety output control error	The 2 controls for the safety relays do not correspond.
10	Software program error	One of the processors has recognised an error in the running of its program.
11	Parity error	The 2 processors take too much time to achieve the same state.
12	Version error	The software versions of the 2 processors do not match: the unit must be sent in for repair.
13	Software memory error	The software memory is defective. The unit must be sent in for repair.
14	RAM error	The processor working memory is defective. The unit must be sent in for repair.

9.2.3 Receiver input fault isolation

The various operating states leading to deactivation of the safety outputs are **indicated by an error code (No.) simultaneously by the white LED "V2" and static output 58.**

The white LED « V1 » remains on. So long as the cause of the fault has not been eliminated, static output 48 is activated. It flashes regularly as soon as reactivation of the module by one of the ON button is possible.

Error code (number of consecutive flashes of white ind. light « V2 »)	State	Cause
1	Radio transmitter emergency stop	- A charger contact is open and the emergency stop palmswitch on the remote control is pressed. - A charger contact is open and radio communication has not been activated.
2	System stopped by a wired protection component	One of inputs S12-S14 or S22-S24 is deactivated.
3	Time delay error	The contacts of a safety element have not been activated within the required time frame. The contacts of this component must first be deactivated before a new activation can be recognised. - The charger contact has been opened, but radio communication has not been activated in time. - In « protected area access » mode, the passage button or the ON button on the remote control has not been released after the passage request stop.
4	Error in one of the ON buttons	- Activation time greater than time delay duration selected. - Activated on power up of module. - Activated on appearance of a fault.
5	Passage button error	Protected area access mode, button (S34) activated at moment of power up.
6	Charger contact error	Only one of the two charger contacts is open.

9.2.4 Receiver radio function fault isolation.

The red and green led states describe a malfunction in the radio part of the safety receiver.

Name of Led and colour	Mode	Indication	Message	State
Safety micro led 1 (RED V3)	Normal	Indicates validity of identity code	Message not received	OFF
			Message received with correct identity code	OFF
			Message received with incorrect identity code	Flashing regularly
	Serial link			ON
	In case of fault	Indicates a fault	Power supply error	2 flashes
			Safety relay	3 flashes
			EEPROM	4 flashes
RAM			5 flashes	
ROM			6 flashes	
		Micro type	7 flashes	
Safety micro led 2 (GREEN V4)	Normal	Indicates radio reception quality	No radio reception	OFF
			Bad radio reception	Flashing
			Good radio reception	ON
	Serial link			OFF
	In case of fault	Indicates a fault	Power supply error	2 flashes
			Safety relay	3 flashes
			EEPROM	4 flashes
RAM			5 flashes	
ROM			6 flashes	
		Micro type	7 flashes	

10 Warranty

All our devices are guaranteed 2 years as of the date of manufacture indicated on the product (except for the transmitter URE battery which has 1 year warranty). No repair, modification or replacement of a product during the warranty period can be understood as an extension of the warranty period.

Limits of warranty :

The warranty does not cover defects resulting from :

- Transport
- False operation or non-observance of connection diagrams when setting the equipment into service
- Insufficient supervision or servicing, utilization not complying with the specifications detailed in the technical manual and, as a general rule, storage, operation or environment conditions (atmospheric, chemical, electrical or other conditions).
- Conditions not specified on order of the equipment

The warranty shall not apply subsequent to any modifications or additions to the equipment performed by the customer without written approval by JAY Electronique.

The JAY Electronique responsibility during the warranty period is limited to material and construction defects. This warranty comprises repair in the JAY workshops or replacement, free of charge, of parts recognized to be defective following expert inspection by the JAY Technical Department.

The warranty shall not give rise to any compensation for damage claims.

Any disputes relative to a supply or settlement thereof shall be ruled by the COURT OF COMMERCE OF GRENOBLE, solely competent, even in the event of an Appeal or a plurality of defendants.

11 CE declaration of conformity

Translated from French

DECLARATION OF CONFORMITY

EN

The manufacturer : **JAY Electronique**
ZAC la Bâtie, rue Champrond
38334 ST ISMIER Cedex
FRANCE

Declares that for the Transmitter / Receiver set described in the user manual and mentioned here below:

RS Series **URE_{XXXX}-B / RSRA_{XXX0}-B** **RE_{XXXX}-B**

comply:

- With the requirements specified for the machines defined in Appendix I of the Directive 2006/42/EC concerning alignment of the legislation of the member states relative to machinery.

To this end, the notified body nb. 0035 : **TÜV Rheinland Industrie Service GmbH**
Automation and Functional Safety
Am Grauen Stein
51105 Köln
GERMANY

has issued an EC type examination nb.01/205/0649.02/20 reflecting compliance with the following standards :

- EN ISO 13849-1 :2015 Requirements for performance level PL e (Category 4)
- EN 61508-1 à -7 :2010 Requirements for SIL 3
- EN 60204-1 :2016 Stop category 0
- EN ISO 13850 :2015, Stop category 0
- EN 60947-5-1 :2004 + AC :2005 + A1 :2009
- EN 50178 :1997

This equipment can be used in applications up to Category 4 (PL e) according to EN ISO 13849-1 and SIL 3 according to EN 61508 for its safety stop.

- With the requirements of the European Directive 2014/53/EU of the Council of Europe of April 16th 2014, concerning the alignment of the legislations of the member states, relative to radio equipment and telecommunication terminals with special reference to :
- article 3.1 a, concerning the protection requirements of the health and safety of people and domestic animals, and the protection of property with Directive 2014/35/EU according to the following standards : EN 60947-5-1 :2004 + AC :2005 + A1 :2009 and EN 62479 :2010.
 - article 3.1 b, covering the requirements relative to protection as concerns electromagnetic compatibility, with Directive 2014/30/EU.
 - article 3.2, covering the requirements relative to proper use of the radio-frequency spectrum.

To this end, the accredited body nb.0573 : **AEMC Lab**
19, rue François Blumet
ZI de l'Argentière
38330 SASSENAGE
FRANCE

Conducted testing of the above units for Electromagnetic Compatibility (3.1b) and for compliance with the spectrum (3.2), according to following standards :

- EN 301 489-3 V1.6.1
- EN 301 489-1 V1.9.2
- EN 61000-6-2 : 2005
- EN 62061 : 2005 + A1 :2013 + A2 :2015
- EN 300 220-2 V3.1.1
- EN 300 220-1 V3.1.1
- EN 62479 :2010
- EN 61326-1 :2013 & EN 61326-3-1 :2008

included in the reports : nb° R1612395C2-E, nb° R1711397R8-E, nb° R1908284C2-E and nb° R1711397R3-E.

- With the requirements of the European Directive of the Council of Europe dated June 8, 2011, relative to the limitation of use of certain dangerous substances in electrical and electronic equipment (RoHS), (2011/65/EU).
- With the requirements of the European Directive of the Council of Europe dated July 4, 2012, relative to electrical and electronic equipment waste (WEEE), (2012/19/EU).

Signatory: Responsible person authorized to compile the technical file (2006/42 Annex II § 2), and empowered to draw up the declaration on behalf of the manufacturer (2006/42 Annex II § 10).

This declaration of conformity is issued under the sole responsibility of the manufacturer:

Name: Pascal De Boissier; **Function:** Technical Manager.

Place and Date: JAY Electronique ZAC Bâtie Street Champrond 38334 St Ismier France on 15/06/2020.

Signature: signed on original

332600F

332600F_URE-RSRA_Declaration_de_conformite_FR-EN-DE-IT-ES.docx

12 Appendix A : Intervention in equipment area

Example : access to load transfer machine in « monitoring – diagnostic » mode.

12.1 Purpose

The product is designed to allow a trained operator to access a closed secure area in “monitoring-diagnostic” mode while holding a transmitter equipped with an emergency stop system.

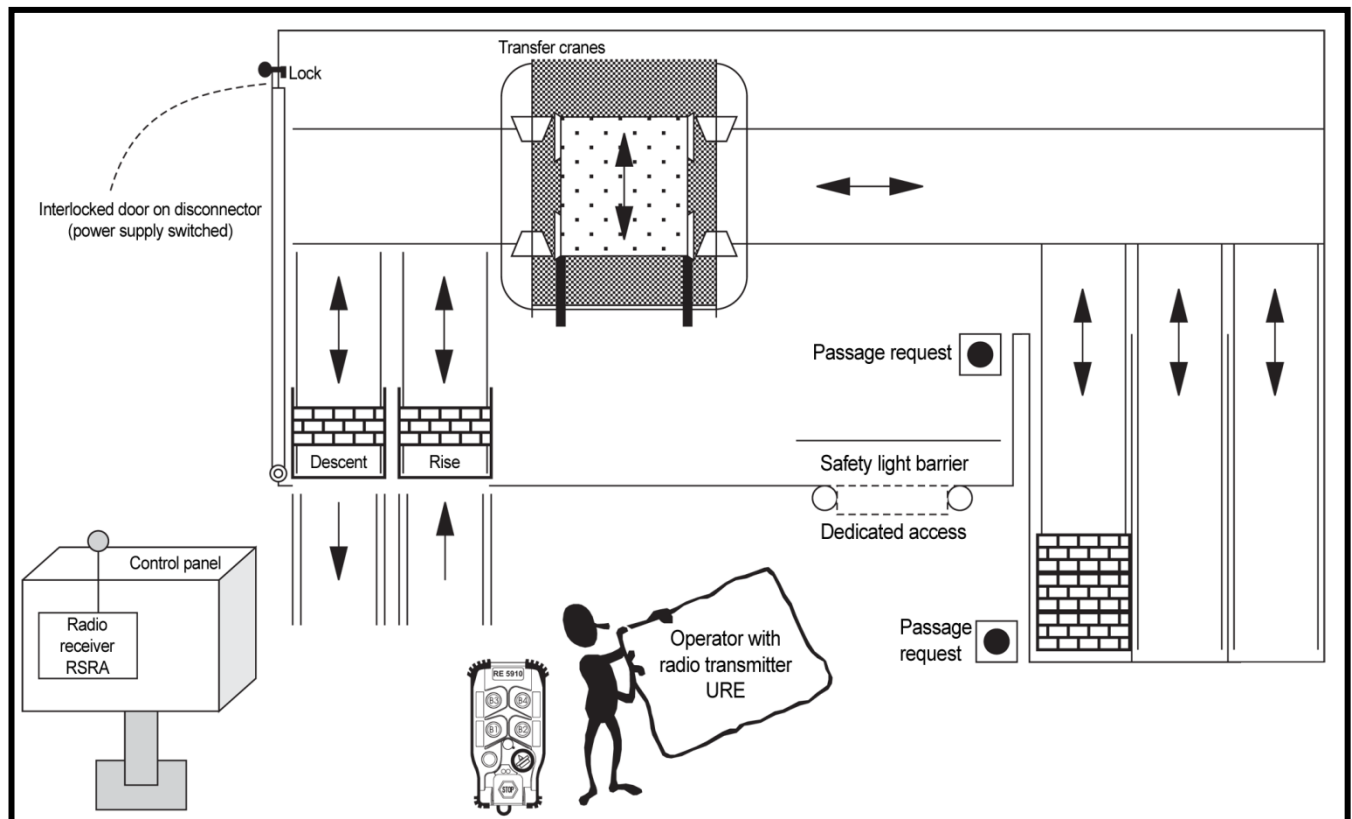
12.2 Need

A maintenance operator may need to intervene (1) in a dangerous area where a load transferring machine is operating in automatic mode. This intervention may be aimed, for example, at determining the cause of a random fault or detecting a malfunction, or visually inspecting products manufactured without stopping the automatically-controlled system.

The operator’s safety is ensured by an individual portable protection device (transmitter) equipped with an emergency stop palmswitch enabling him to stop the machine should he find himself in a dangerous situation.

(1) Intervention condition described in section 5.2 “Intervention conditions”.

12.3 Application diagram



12.4 Wiring diagram

See section 6.2.2.1 “Recommended wiring diagram”.

12.5 Procedure.

1. The transmitter must be placed on its charger, the wired emergency stop must be unlocked and the gate must be closed or the safety light barrier activated.

This state is indicated by the white "V2" led and static output 58 which are off.

2. Before entering the protected area, the operator picks up the transmitter from the charger. The charger contact (S31- S32) opens. The operator has a certain period of time (set by the "A" switches on the receiver) to activate the transmitter.

The activation waiting time is indicated by rapid flashing of the white "V2" led and static output 58.

3. Wait until the transmitter orange indicator light goes off before activating the transmitter with green "On" button. Once activated, the white "V2" led and static output 58 come on steady.

4. In order to pass through the protected access, the operator must simultaneously press the green ON button on the transmitter and the passage request button located outside the protected area. When the two buttons are released, the passage is inhibited. This state is indicated by a Led "V2" and static output 58 which flash slowly. The operator must move through the gate and close it or go through the safety light barrier before the end of the inhibit time which is realized by the blinking of the V2 indicator light and the output nb 58. This inhibit time is customizable by A selector.

5. This inhibit time is interrupted when the operator crossed the safety light barrier or closed the access zone gate. White indicator light "V2" and static output 58 are again on steady.

6. Once the intervention is completed, in order to come out of the area, the operator must again perform the passage request by simultaneously pressing the On button on the remote control and the passage request button located inside the equipment. Once the two buttons are released, the passage is again inhibited (slowly flashing "V2" led and static output 58).

7. Once outside the protected area, the operator sets the remote control on the charger and the charger contact closes. The transmitter should be deactivated within 1 second. On deactivation of the remote control, the white "V2" led and static output 58 go off.

Note: The inhibit time and the maximum time tolerated between the moment the transmitter is picked up off the charger and activation of the transmitter can be adjusted using the rotary "A" switches on the receiver.

The two passage request buttons are connected in parallel across terminals S33-S34 of the safety receiver.

As indicated in section 7.3.1 "**Special case – Equipment area access**", an indicator light column should be wired on the housing containing the safety receiver. Refer to the section covering 7.3 "**Receiver and charger installation precautions**".

12.6 Area access in manual mode

The procedure for access is the same, except that the equipment is stopped before the intervention using the portable transmitter. See section 5.2 "**Intervention conditions**".

Here below a sheet to be stuck up next to the indicator light column.

This sheet specifies the states of the equipment and the portable transmitter.

IMPORTANT

When the radio transmitter is set on its charger, it is stopped and its emergency stop function is **INACTIVE !**

STOP

A protected stopping of the equipment is started

In area

To intervene in area with transmitter.

Ok

Equipement operating

RADIOSAFE

Installation manual appendix 330740F

